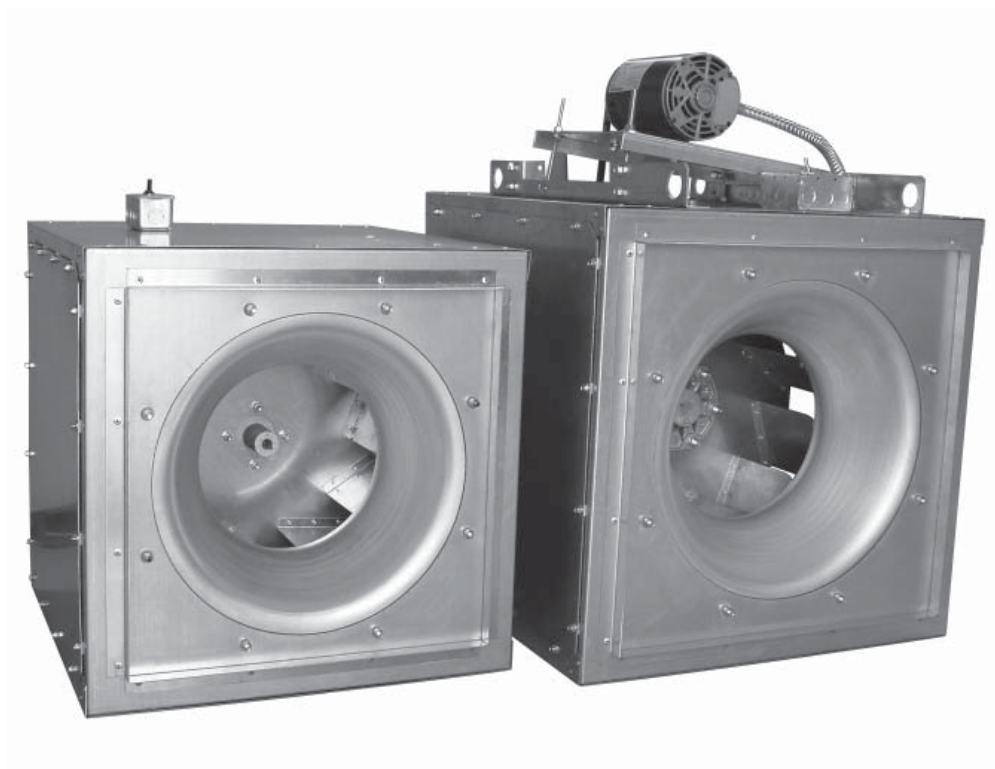




SQUARE INLINE FANS DIRECT AND BELT DRIVEN

Models SCDD & SCBD



Square Inline Centrifugal Fans

General Information

Aerovent's SCDD direct drive and type SCBD belt driven square inline fans are specifically designed for duct applications handling relatively clean air, including supply, exhaust and return air systems. These fans offer high efficiency and quiet operation in a compact design that can be mounted in any position (horizontal, vertical or angular). Duct collars are provided for easy mounting without the need for square to round duct transitions. The units can be easily serviced through the side access panels without removing duct connections.

Square inline centrifugal units feature high efficient, non-overloading, backward inclined centrifugal wheels precisely matched to a spun venturi. All wheels are statically and dynamically balanced. Units are manufactured under strict quality assurance standards to insure cataloged performance and years of maintenance-free operation. Square inline fans are not intended for outdoor applications.

Capabilities

SCBD inline fans are available in 29 sizes, 080 through 402. SCDD inline fans are available in 10 sizes, 080 through 165.

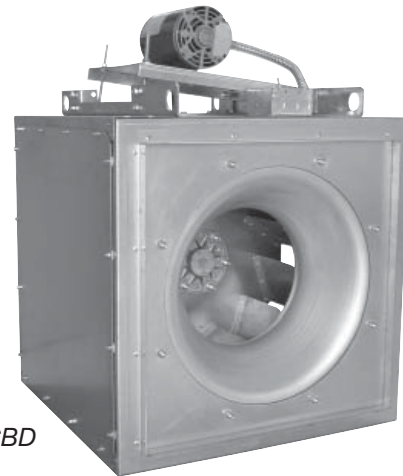
Performance capabilities include a broad capacity range from 250 to 27,500 CFM and static pressure capabilities to 3.5 inches w.g.

Variable Speed Control

Variable speed control is available on SCDD models. The speed control option allows the fan to start on high speed for better start-up characteristics and allows adjustment of airflow for system balancing. The controller can be factory installed or shipped loose for field mounting. Motor must be ODP 115V.

Construction Features

- Housing assembly features heavy-gauge galvanized steel construction.



Model SCBD



Model SCDD

- Removable side panels provide easy access for service and maintenance without the need to remove duct connections. Complete removal of the power assembly is also possible through side access panels.
- Side panels can provide a 90-degree side discharge. Requires optional side discharge accessory.
- Backward inclined non-overloading, all-aluminum wheel and hub statically and dynamically balanced to assure long life and quiet operation.
- Galvanized steel mounting brackets for easy mounting in horizontal or vertical position.
- Heavy-duty cast iron adjustable pulleys to permit speed variation (Model SCBD).
- All models are furnished with prelubricated cast iron pillow block bearings with zerk fittings, designed for an average life (L-50) of 500,000 hours or more at maximum cataloged operating speeds (Model SCBD).
- Mounted disconnect switch provided as standard for servicing the unit without the danger of an accidental start.



Aerovent certifies that the SCDD and SCBD models shown herein are licensed to bear the AMCA Seal. The ratings shown are based on tests and procedures performed in accordance with AMCA Publication 211 and AMCA Publication 311 and comply with the requirements of the AMCA Certified Ratings Program.



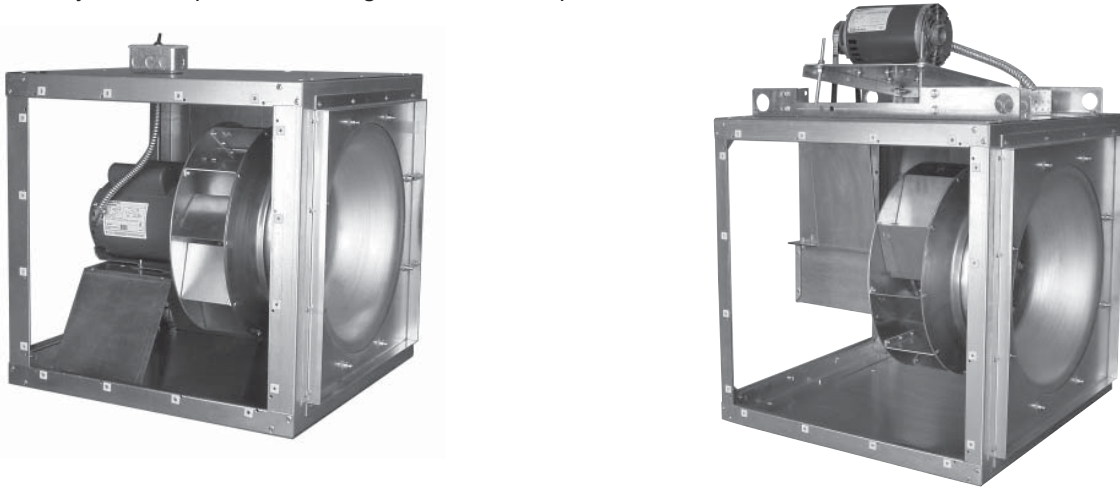
All SCDD and SCBD models are UL/cUL 705 listed, for electrical, File No. E158680.

©2007 Twin City Fan Companies, Ltd., Aerovent. All rights reserved throughout the world.

Bulletin illustrations cover the general appearance of Aerovent products at the time of publication and we reserve the right to make changes in design and construction at any time without notice.

Removable Side Panels

Shown below are Models SCDD and SCBD with the side panels removed. This special feature provides easy access for service and maintenance without the need to remove duct connections. Complete removal of the power assembly is also possible through side access panels.



Accessories

Belt Guard

A formed galvanized steel guard is available to cover the drive assembly on Model SCBD.

Motor Cover

A formed galvanized steel cover is available on Model SCBD to completely cover the motor and drives. Motor cover serves as OSHA belt guard.

Vibration Isolators

Spring or neoprene type vibration isolators are available for ceiling suspended or floor mounted units.

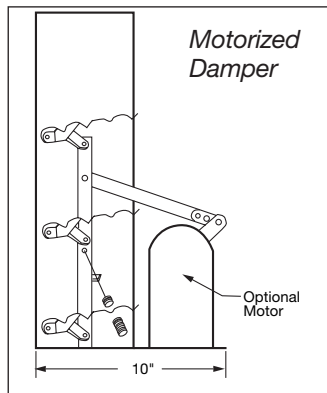
Extended Lubrication Lines

Exterior mounting zerk fittings are available with lines to the fan shaft bearings for relubrication from outside the unit.

Backdraft Dampers

Backdraft dampers, with automatic or motorized operation, feature felt-edged damper blades for quiet operation. Damper frames are constructed of 20-gauge galvanized steel and blades are constructed of 26-gauge aluminum.

Motorized dampers are recommended for low CFM applications to assure unrestricted airflow. Motorized dampers are available with 115, 208, 230, 460 or 575 volt service; 460 and 575 volt service requires a step-down transformer. See dimensional data for sizing.



Filter Box

A filter box containing 2 inch wire mesh, removable and washable filters is available for attachment to the fan inlet side. The filter box is constructed of galvanized steel, with duct collars for easy mounting and removable side panels for easy filter cleaning or replacement. Disposable paper filters are also available. For filter box pressure drops contact factory. See page 21 for dimensional data. One inch filters are available on either type.

Insulated Housing

A one-inch thick layer of fiberglass insulation on the interior of the fan housing is available to provide protection against condensation and to aid in noise reduction. Neoprene coated or foil face insulation is available.

Inlet/Outlet Guard

Inlet and outlet guards are available for all models. Guards mount inside the unit and do not interfere with the attachment of ductwork.

Side Discharge

Side discharge kits provide 1-way, 2-way or 3-way discharges. See page 4 for available configurations.

Special Coatings

Square inline centrifugal fans often require special coatings for protective and decorative purposes. Available coatings include anticondensate, air-dried enamel, air-dried epoxy, and Heresite (air-dried phenolic). Contact your Aerovent representative for more information on available coatings and colors.

Side Discharge Option

Side discharge kits (including panels, mounting collars, and necessary hardware) are available to provide 1-way, 2-way, or 3-way discharges. This option provides exceptional adaptability for any installation, as well as avoiding the system effect of disrupted airflow when the ductwork has to take a 90-degree turn.

Configurations

Option	Figure	Configuration
Standard	A	Rear
1-Way	B	Left
	C	Right
	D	Left and Right
2-Way	E	Left and Rear
	F	Right and Rear
3-Way	G	Left, Right and Rear

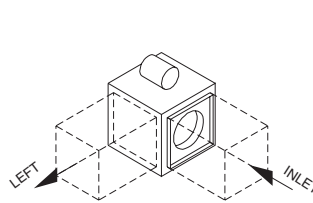


FIG. B

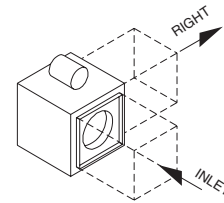


FIG. C

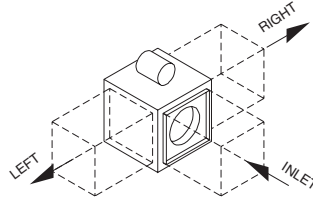


FIG. D

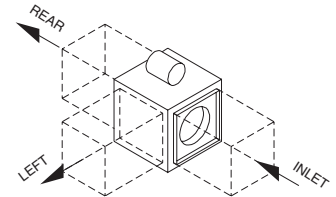


FIG. E

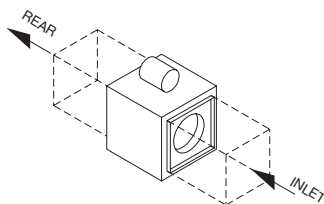


Fig. A

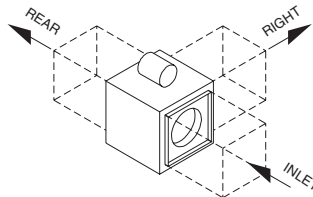


FIG. F

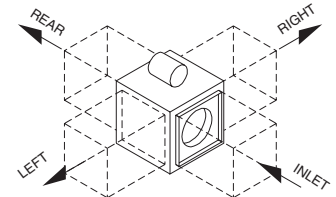


FIG. G

NOTE: Performance will change depending on the position of the discharge. See correction factor table below. Percentages based on (inline) cataloged performance, but are not AMCA certified. Always check BHP when selecting motor HP and fan size.

Performance Correction Factors

Discharge	0.50" SP		1.00" SP		1.50" SP		2.00" SP		Avg.	
	CFM	BHP	CFM	BHP	CFM	BHP	CFM	BHP	CFM	BHP
1-Way	110.7%	113.0%	114.0%	110.8%	115.8%	108.5%	120.0%	102.3%	115.1%	108.7%
2-Way	114.7%	106.5%	118.1%	109.7%	120.3%	112.4%	126.8%	114.0%	120.0%	110.7%
3-Way	113.2%	105.9%	117.4%	109.7%	121.6%	113.0%	127.1%	114.0%	119.8%	110.7%

NOTE: The performance correction factors shown above are not licensed to bear the AMCA Certified Ratings Seal.

Duct Openings

Model SCBD	Model SCDD	Left and Right Discharge			Rear Discharge/Inlet		
		Duct Collar		Duct Size Required	Duct Collar		Duct Size Required
		Width	Height		Width	Height	
080	080	11.88	11.88	12 x 12	11.88	11.88	12 x 12
090	090	11.88	11.88	12 x 12	11.88	11.88	12 x 12
100	100	13.88	13.88	14 x 14	13.88	13.88	14 x 14
120	120	15.88	15.88	16 x 16	15.88	15.88	16 x 16
135	135	17.88	17.88	18 x 18	17.88	17.88	18 x 18
150	150	19.88	19.88	20 x 20	19.88	19.88	20 x 20
165	165	22.88	22.88	23 x 23	22.88	22.88	23 x 23
180	—	23.88	23.88	24 x 24	23.88	23.88	24 x 24
210	—	27.88	27.88	28 x 28	27.88	27.88	28 x 28
225	—	25.88	28.88	26 x 29	29.88	29.88	30 x 30
245	—	27.88	31.88	28 x 32	32.88	32.88	33 x 33
270	—	29.88	33.88	30 x 34	35.88	35.88	36 x 36
300	—	29.88	37.88	30 x 38	39.88	39.88	40 x 40
330	—	31.88	39.88	32 x 40	43.88	43.88	44 x 44
365	—	32.88	41.88	33 x 42	45.88	45.88	46 x 46
402	—	34.88	46.88	35 x 47	51.88	51.88	52 x 52

NOTE: Damper size should be 1/8" less than duct size required, or same size as duct collar.

Performance Data – Direct Drive

SCDD – 60 Hz

MODEL SCDD	MOTOR HP	RPM	MAX. BHP	STATIC PRESSURE (INCHES W.G.)													
				0	0.125	0.25	0.375	0.50	0.625	0.75	1.00	1.25	1.50	1.75	2.00		
				CFM SONE													
080A	1/8	860	0.01	323 4.2	247 3.4												
	1/8	1160	0.03	436 7.4	382 6.3	321 6.1	232 5.5										
	1/8	1650	0.10	620 10.4	583 10.4	545 8.7	505 8.0	459 8.6	403 8.3	335 7.3							
090A	1/8	860	0.02	495 5.9	390 4.4												
	1/8	1160	0.05	668 9.8	592 8.2	510 7.9	401 6.4										
	1/8	1650	0.14	950 13.0	897 13.0	843 11.2	789 10.3	729 11.1	660 10.7	578 8.5							
100A	1/8	860	0.04	787 7.8	666 6.0	520 6.2											
	1/8	1160	0.11	1061 13.3	973 12.1	882 10.0	780 10.9	651 9.0									
	1/3	1750	0.36	1601 17.8	1543 17.8	1484 17.6	1424 15.9	1365 14.7	1303 14.8	1236 15.6	1083 14.9	877 11.7					
120A	1/8	860	0.07	1047 5.8	951 5.3	830 5.1	586 4.3										
	1/4	1160	0.18	1413 9.3	1344 9.3	1268 8.1	1183 7.7	1079 8.3	923 6.9								
	3/4	1750	0.63	2132 17.9	2087 17.9	2041 17.9	1993 17.7	1942 16.5	1889 15.5	1834 14.8	1709 15.6	1551 16.1	1288 14.2				
135AN	1/8	860	0.08	1041 6.9	941 6.2	819 5.5	670 5.2										
	1/4	1160	0.20	1404 11.4	1332 11.4	1254 9.6	1165 8.4	1070 9.1	962 9.1	823 7.9							
	3/4	1750	0.69	2118 17.8	2071 17.8	2024 17.8	1974 17.8	1922 16.9	1867 15.7	1808 15.4	1685 15.9	1554 16.6	1401 14.8	1203 14.6	899 14.6		
135A	1/4	860	0.13	1437 7.1	1331 6.7	1208 5.9	1041 6.1										
	1/2	1160	0.31	1938 11.2	1862 11.2	1780 10.7	1691 9.4	1591 9.4	1471 10.0	1306 8.9							
	1	1750*	1.07	2924 22	2875 22	2824 22	2771 22	2717 21	2660 20	2601 19.0	2476 18.3	2334 19.4	2161 19.6	1918 17.5			
150AN	1/4	860	0.13	1385 8.2	1277 7.9	1150 6.3	1005 6.9	810 5.9									
	1/2	1160	0.32	1868 13.7	1790 13.7	1707 12.1	1615 10.5	1513 10.1	1407 11.0	1288 11.0	940 9.5						
	1	1750*	1.11	2818 21	2767 21	2715 21	2662 21	2606 20	2549 19.6	2488 18.6	2359 18.0	2221 19.2	2077 19.7	1913 18.5	1713 17.2		
150A	1/4	860	0.20	1913 8.5	1798 8.5	1668 7.1	1513 7.5	1286 6.7									
	1/2	1160	0.50	2580 13.5	2497 13.5	2409 13.3	2315 11.9	2213 11.3	2099 11.4	1965 12.1	1514 10.0						
	1 1/2	1750*	1.72	3892 26	3838 26	3783 26	3726 26	3667 26	3607 25	3545 24	3414 22	3273 22	3116 22	2931 23	2699 22		
165AN	1/4	860	0.23	2094 7.7	1953 7.6	1805 6.9	1647 7.2	1472 7.3	1248 7.2								
	1/2	1160	0.56	2825 12.4	2721 12.4	2615 12.0	2506 11.4	2394 11.0	2277 11.2	2155 12.0	1877 11.2	1457 11.3					
	2	1750*	1.93	4261 22	4193 22	4124 22	4054 22	3984 21	3912 21	3840 21	3694 20	3543 20	3386 21	3223 22	3048 23		
165A	1/2	860	0.33	2898 10.1	2683 9.9	2499 8.9	2323 9.2	2069 9.4	1773 8.2								
	1	1160	0.81	3909 16.5	3744 16.5	3592 15.6	3452 14.7	3327 14.2	3199 14.8	3044 15.7	2640 13.7	2152 13.5					
	3	1750*	2.80	5898 30	5786 30	5678 30	5574 30	5473 29	5375 28	5281 27	5109 26	4945 26	4769 27	4552 28	4589 27		

* Designates motors that cannot be used with speed controller.

NOTES:

- Performance certified is for Installation Type A: Free inlet, free outlet.
- The sound ratings shown are loudness values in fan sones at 5 ft. (1.5m) in a hemispherical free field calculated per AMCA Standard 301.
- Performance ratings do not include the effects of appurtenances (accessories).
- Values shown are for Installation Type A: Free inlet, free outlet fan sone values.

Performance Data – Belt Driven

SCBD 080A

Max. Motor Frame Size = 145T

HP	RPM	STATIC PRESSURE (INCHES W.G.)																								
		0.125		0.25		0.50		0.75		1.00		1.25		1.50		1.75		2.00		2.25		2.50		3.00		
		CFM	Sone	CFM	Sone	CFM	Sone	CFM	Sone	CFM	Sone	CFM	Sone	CFM	Sone	CFM	Sone	CFM	Sone	CFM	Sone	CFM	Sone	CFM	Sone	
1/4	850	241																								
		0.01	3.1																							
	1050	333		261																						
		0.03	4.6	0.03	4.7																					
	1250	419		363																						
		0.04	6.6	0.04	5.9																					
	1450	502		455		349																				
		0.06	9.0	0.07	7.3	0.07	7.5																			
	1650	584		542		457		344																		
		0.09	11.0	0.10	9.1	0.10	9.2	0.10	7.8																	
1850	664		627		552		470		352																	
	0.13	11.8	0.14	11.0	0.14	9.9	0.14	10.7	0.13	9.1																
2050	744		710		643		574		493		376															
	0.18	13.9	0.18	12.8	0.19	11.2	0.19	12.2	0.19	11.7	0.18	10.6														
2250	823		792		730		669		604		525		416													
	0.24	15.6	0.24	15.1	0.25	13.0	0.26	13.0	0.26	14.2	0.26	13.2	0.24	12.3												
1/3	2375	872		843		784		726		667		599		516		390										
		0.28	16.8	0.28	16.8	0.29	14.3	0.30	13.8	0.30	14.8	0.30	15.2	0.30	13.0	0.27	13.3									
	2500	0.32	18.3	0.33	18.3	0.34	16.0	0.35	15.1	0.35	15.6	0.35	16.5	0.35	15.8	0.34	14.3									
1/2	2660	984		957		904		853		801		748		689		620		534								
		0.39	20	0.39	20	0.40	18.4	0.41	16.7	0.42	16.4	0.43	18.1	0.43	18.3	0.42	16.8	0.41	16.0							
	2860	0.48	23	0.49	23	0.50	21	0.51	19.6	0.52	18.6	0.53	19.1	0.53	20	0.53	21	0.52	19.1	0.51	17.5					
3/4	3060	1139		1116		1070		1025		980		935		889		842		789		730		576				
		0.59	26	0.59	26	0.61	25	0.62	23	0.63	21	0.64	21	0.65	21	0.65	22	0.65	23	0.64	21	0.61	19.4			
	3260	0.71	29	0.72	29	0.73	29	0.74	25	0.76	24	0.77	23	0.77	23	0.78	24	0.79	25	0.79	25	0.77	22	0.72	22	
1	3425	1281		1260		1218		1177		1137		1097		1057		1016		975		932		833		708		
		0.82	33	0.83	33	0.84	32	0.86	29	0.87	26	0.88	25	0.89	24	0.90	25	0.91	26	0.91	27	0.91	26	0.87	23	
	3590	0.94	35	0.95	35	0.97	35	0.98	33	1.00	30	1.01	28	1.02	27	1.03	27	1.04	27	1.05	29	1.05	29	1.03	26	

NOTES:

1. Performance certified is for Installation Type A: Free inlet, free outlet.
2. Power rating (BHP) does not include transmission losses.
3. Performance ratings do not include the effects of appurtenances (accessories).
4. The sound ratings shown are loudness values in fan sones at 5 ft. (1.5m) in a hemispherical free field calculated per AMCA Standard 301.
5. Values shown are for Installation Type A: Free inlet, free outlet fan sone values.

Performance Data – Belt Driven

SCBD 090A

Max. Motor Frame Size = 145T

HP	RPM	STATIC PRESSURE (INCHES W.G.)																							
		0.125		0.25		0.50		0.75		1.00		1.25		1.50		1.75		2.00		2.25		2.75		3.25	
		CFM	Sone	CFM	Sone	CFM	Sone	CFM	Sone	CFM	Sone	CFM	Sone	CFM	Sone	CFM	Sone	CFM	Sone	CFM	Sone	CFM	Sone	CFM	Sone
1/4	1450	752	697	562																					
		0.09	9.0	0.09	8.2	0.10	8.8																		
	1650	869	822	715	576																				
		0.13	11.1	0.13	10.6	0.14	10.1	0.14	10.9																
1/3	1850	984	944	854	748	608																			
		0.18	13.2	0.18	13.3	0.19	12.0	0.20	12.8	0.20	12.4														
1/2	2015	1079	1042	962	872	764	616																		
		0.23	14.8	0.23	14.8	0.25	13.5	0.26	13.1	0.26	14.4	0.25	12.7												
	2120	1139	1104	1029	946	851	734	505																	
1/3		0.27	15.8	0.27	15.8	0.28	14.4	0.30	13.9	0.30	14.8	0.30	14.8	0.27	13.2										
	2230	1201	1168	1099	1022	935	835	703																	
		0.31	16.8	0.31	16.8	0.33	15.9	0.34	14.7	0.35	15.5	0.35	16.2	0.35	14.1										
1/2	2390	1292	1262	1197	1128	1052	967	868	736																
		0.38	17.9	0.38	17.9	0.40	17.6	0.41	16.3	0.43	16.3	0.43	17.3	0.44	17.3	0.42	14.4								
3/4	2550	1382	1354	1295	1231	1163	1088	1004	908	781															
		0.46	19.8	0.47	19.8	0.48	19.6	0.49	18.7	0.51	17.9	0.52	18.4	0.53	19.4	0.53	18.6	0.51	16.0						
1	2735	1487	1460	1406	1348	1286	1220	1149	1069	979	866	646													
		0.56	22	0.57	22	0.59	22	0.60	21	0.62	20	0.63	20	0.65	21	0.65	22	0.65	21	0.64	18.4	0.58	17.3		
	2920	1591	1566	1515	1462	1406	1347	1283	1215	1140	1056	956													
		0.69	25	0.69	25	0.71	25	0.73	24	0.74	23	0.76	22	0.78	22	0.79	24	0.79	24	0.79	23	0.78	21		
1	3060	1669	1646	1598	1547	1495	1440	1381	1319	1251	1178	1097	863												
		0.79	26	0.80	26	0.81	26	0.83	26	0.85	25	0.87	24	0.88	24	0.90	24	0.91	25	0.91	26	0.91	25	0.87	21
1	3205	1750	1728	1682	1635	1585	1534	1480	1422	1361	1296	1224	1055												
		0.90	28	0.91	28	0.93	28	0.95	28	0.97	27	0.99	26	1.01	26	1.02	26	1.04	27	1.05	28	1.05	28	1.04	24

SCBD 100A

Max. Motor Frame Size = 145T

HP	RPM	STATIC PRESSURE (INCHES W.G.)																							
		0.125		0.25		0.375		0.50		0.75		1.00		1.25		1.50		1.75		2.00		2.25		2.50	
		CFM	Sone	CFM	Sone	CFM	Sone	CFM	Sone	CFM	Sone	CFM	Sone	CFM	Sone	CFM	Sone	CFM	Sone	CFM	Sone	CFM	Sone	CFM	Sone
1/4	1025	816	716	592																					
		0.07	6.8	0.07	6.2	0.07	6.9																		
	1275	1053	981	899	806																				
		0.13	9.9	0.13	9.1	0.14	8.7	0.14	9.5																
1/3	1465	1229	1169	1103	1030	859																			
		0.19	12.3	0.20	12.1	0.20	11.2	0.21	10.8	0.22	12.1														
1/3	1565	1321	1265	1205	1140	992	790																		
		0.23	13.7	0.24	13.7	0.25	12.8	0.25	12.2	0.26	13.1	0.26	12.7												
	1645	1394	1341	1285	1225	1090	924																		
		0.27	15.0	0.28	14.5	0.28	13.9	0.29	13.2	0.30	13.9	0.31	14.3												
1/2	1725	1467	1417	1364	1308	1184	1038	833																	
		0.31	16.0	0.32	16.0	0.33	15.4	0.33	14.5	0.35	14.4	0.35	15.6	0.34	14.4										
1/2	1850	1580	1534	1485	1434	1324	1199	1049	818																
		0.38	17.9	0.39	17.9	0.40	17.1	0.41	16.3	0.42	15.5	0.43	16.7	0.44	17.5	0.41	16.1								
1/3	1980	1697	1654	1610	1563	1463	1353	1229	1077	825															
		0.47	19.2	0.47	19.2	0.48	19.0	0.49	18.3	0.51	17.2	0.53	17.3	0.53	18.8	0.53	18.1	0.5	16.8						
3/4	2120	1823	1783	1742	1699	1609	1510	1403	1281	1133	894														
		0.57	21	0.58	21	0.59	20	0.60	20	0.62	19.2	0.64	18.6	0.65	19.5	0.66	20	0.65	19.1	0.61	17.9				
	2255	1944	1906	1868	1829	1746	1656	1560	1455	1336	1192	970													
		0.68	22	0.69	22	0.70	22	0.71	22	0.74	21	0.76	19.9	0.77	19.9	0.79	21	0.79	21	0.78	19.9	0.74	18.1		
1	2370	2046	2011	1975	1938	1860	1777	1689	1593	1489	1371	1226	999												
		0.79	24	0.80	24	0.81	24	0.83	24	0.85	23	0.87	22	0.89	22	0.91	22	0.92	23	0.92	22	0.91	20	0.85	19.3
1	2480	2145	2111	2077	2041	1968	1891	1808	1720	1626	1522	1405	1259												
		0.91	25	0.92	25	0.93	25	0.94	25	0.96	24	0.99	23	1.01	23	1.03	23	1.04	24	1.05	25	1.05	24	1.03	21

NOTES:

- Performance certified is for Installation Type A: Free inlet, free outlet.
- Power rating (BHP) does not include transmission losses.
- Performance ratings do not include the effects of appurtenances (accessories).
- The sound ratings shown are loudness values in fan sones at 5 ft. (1.5m) in a hemispherical free field calculated per AMCA Standard 301.
- Values shown are for Installation Type A: Free inlet, free outlet fan sone values.

Performance Data – Belt Driven

SCBD 120A

Max. Motor Frame Size = 145T

HP	RPM	STATIC PRESSURE (INCHES W.G.)																							
		0.125		0.25		0.375		0.50		0.625		0.75		1.00		1.25		1.50		1.75		2.00		2.25	
		CFM	Sone	CFM	Sone	CFM	Sone	CFM	Sone	CFM	Sone	CFM	Sone	CFM	Sone	CFM	Sone	CFM	Sone	CFM	Sone	CFM	Sone	CFM	Sone
1/4	700	716	489																						
	900	990	880	710																					
		1100	1252	1166	1074			944	748																
	1290	1495	1423	1349	1271	1169	1041																		
1355		1578	1509	1439	1367	1282	1172																		
1/3	1420	1660	1595	1528	1461	1387	1293	1040																	
	1525	1792	1732	1670	1607	1543	1471	1275																	
1/2	1630	1923	1867	1810	1751	1693	1631	1476	1267																
	1750	2072	2020	1968	1913	1859	1804	1681	1514	1302															
3/4	1865	2215	2166	2117	2067	2016	1965	1858	1726	1556	1337														
	1955	2326	2280	2233	2186	2137	2089	1990	1877	1731	1557	1285													
1	2045	2437	2393	2349	2304	2258	2211	2118	2017	1894	1741	1564													
	2195	2622	2582	2540	2498	2456	2413	2326	2238	2140	2022	1879	1718												
1 1/2	2345	2807	2769	2730	2691	2652	2612	2531	2450	2365	2271	2159	2026												
		1.38	30	1.40	30	1.42	30	1.43	30	1.45	29	1.47	28	1.50	26	1.53	25	1.55	25	1.57	25	1.58	27	1.57	27

SCBD 120AHP

Max. Motor Frame Size = 145T

HP	RPM	STATIC PRESSURE (INCHES W.G.)																									
		0.75		1.00		1.25		1.50		1.75		2.00		2.25		2.50		2.75		3.00		3.25		3.50			
		CFM	Sone	CFM	Sone	CFM	Sone	CFM	Sone	CFM	Sone	CFM	Sone	CFM	Sone	CFM	Sone	CFM	Sone	CFM	Sone	CFM	Sone	CFM	Sone		
1/2	1240	586																									
	1450	921	720																								
1/3	1525	1020	855																								
	1600	1112	963	754																							
1/2	1720	1249	1125	978																							
	1840	1378	1275	1146	1004																						
3/4	1970	1513	1424	1318	1193	1055																					
	2105	1650	1571	1482	1375	1257	1126																				
1	2210	1755	1681	1601	1509	1401	1287	1153																			
	2315	1858	1788	1715	1634	1539	1433	1323	1187																		
1 1/2	2485	2024	1960	1894	1824	1747	1658	1560	1459	1348	1184																
	2655	2187	2128	2067	2005	1938	1866	1784	1692	1598	1501	1384	1206														
		1.46	30	1.49	29	1.51	27	1.53	26	1.55	25	1.56	25	1.58	26	1.58	26	1.58	26	1.58	26	1.57	25	1.53	23	1.4	23

NOTES:

1. Performance certified is for Installation Type A: Free inlet, free outlet.
2. Power rating (BHP) does not include transmission losses.
3. Performance ratings do not include the effects of appurtenances (accessories).
4. The sound ratings shown are loudness values in fan sones at 5 ft. (1.5m) in a hemispherical free field calculated per AMCA Standard 301.
5. Values shown are for Installation Type A: Free inlet, free outlet fan sone values.

Performance Data – Belt Driven

SCBD 135A

Max. Motor Frame Size = 145T

HP	RPM	STATIC PRESSURE (INCHES W.G.)																							
		0.125		0.25		0.375		0.50		0.625		0.75		1.00		1.25		1.50		1.75		2.00		2.25	
		CFM	Sone	CFM	Sone	CFM	Sone	CFM	Sone	CFM	Sone	CFM	Sone	CFM	Sone	CFM	Sone	CFM	Sone	CFM	Sone	CFM	Sone	CFM	Sone
1/4	900	1386	8.0	1268	7.1	1120	6.1	894																	
	1075	1696	11.0	1599	9.8	1500	8.4	1380	7.1	1217															
1/3	1130	1792	11.8	1700	10.8	1607	9.4	1503	8.1	1365	1192														
	1190	1897	12.6	1810	11.0	1721	9.9	1629	8.6	1515	1367	1192													
1/2	1280	2053	13.9	1973	13.4	1890	12.4	1807	11.2	1716	1602	1292													
	1370	2208	15.4	2133	15.4	2057	14.4	1980	13.2	1901	1811	1568													
3/4	1465	2370	17.0	2301	17.0	2231	16.0	2158	14.8	2086	2010	1818	1559												
	1565	2541	19.0	2477	19.0	2411	18.3	2344	17.2	2277	2208	2054	1843	1572											
1	1640	2669	20	2608	20	2545	20	2482	19.1	2417	2353	2215	2038	1813											
	1720	2805	22	2747	22	2687	22	2627	21	2566	2504	2378	2229	2034	1801										
1 1/2	1845	3017	25	2963	25	2908	25	2852	24	2795	2738	2623	2500	2350	2163	1946									
	1970	3228	27	3178	27	3127	27	3075	26	3022	2969	2862	2752	2632	2484	2305	2105								

SCBD 135AHP

Max. Motor Frame Size = 145T

HP	RPM	STATIC PRESSURE (INCHES W.G.)																							
		0.25		0.50		0.75		1.00		1.25		1.50		1.75		2.00		2.25		2.50		2.75		3.00	
		CFM	Sone	CFM	Sone	CFM	Sone	CFM	Sone	CFM	Sone	CFM	Sone	CFM	Sone	CFM	Sone	CFM	Sone	CFM	Sone	CFM	Sone	CFM	Sone
1/4	1050	1116	8.5	899	8.1																				
	1200	1321	11.4	1161	9.3	937																			
1/3	1275	1421	12.6	1276	10.1	1081	9.7	789																	
	1350	1520	14.0	1387	11.5	1219	11.0	1007																	
1/2	1450	1651	15.5	1529	13.2	1390	12.4	1206	11.6	966															
	1550	1780	17.2	1668	15.0	1546	13.6	1392	13.9	1212															
3/4	1655	1915	19.0	1812	17.4	1701	15.2	1573	14.6	1412	1237														
	1765	2055	21	1959	19.7	1858	17.6	1747	16.2	1613	1457	1283													
1	1855	2169	22	2079	21	1983	19.1	1882	17.6	1767	1625	1475	1286												
	1945	2282	24	2197	23	2107	21	2013	19.4	1910	1788	1646	1501	1294											
1 1/2	2085	2458	26	2379	26	2297	24	2211	22	2121	2021	1903	1771	1637	1470										
	2225	2633	29	2560	29	2484	27	2405	26	2323	2236	2139	2027	1903	1779	1639	1423								

NOTES:

1. Performance certified is for Installation Type A: Free inlet, free outlet.
2. Power rating (BHP) does not include transmission losses.
3. Performance ratings do not include the effects of appurtenances (accessories).
4. The sound ratings shown are loudness values in fan sones at 5 ft. (1.5m) in a hemispherical free field calculated per AMCA Standard 301.
5. Values shown are for Installation Type A: Free inlet, free outlet fan sone values.

Performance Data – Belt Driven

SCBD 150A

Max. Motor Frame Size = 184T

HP	RPM	STATIC PRESSURE (INCHES W.G.)																							
		0.125		0.25		0.375		0.50		0.625		0.75		1.00		1.25		1.50		1.75		2.00		2.25	
		CFM	Sone	CFM	Sone	CFM	Sone	CFM	Sone	CFM	Sone	CFM	Sone	CFM	Sone	CFM	Sone	CFM	Sone	CFM	Sone	CFM	Sone	CFM	Sone
1/4	825	1693	1552	1378	1115																				
	920	0.17	8.2	0.18	7.3	0.19	7.9	0.18	6.6																
1/3	970	1918	1793	1660	1481	1235																			
	1020	0.24	10.2	0.25	9.1	0.26	8.7	0.26	9.5	0.25	7.7														
1/2	1095	2035	1917	1795	1646	1444																			
	1170	0.28	10.9	0.29	9.9	0.30	9.3	0.30	10.1	0.30	9.8														
3/4	1250	2152	2040	1925	1798	1626	1410																		
	1335	0.32	11.7	0.33	11.1	0.34	10.1	0.35	10.7	0.35	10.9	0.35	9.8												
1	1400	2326	2222	2116	2006	1874	1701																		
	1465	0.39	13.2	0.41	12.6	0.42	11.5	0.43	11.4	0.44	12.3	0.44	12.4												
1 1/2	1570	2498	2402	2303	2203	2094	1959	1593																	
	1680	0.48	14.6	0.49	14.2	0.51	13.0	0.52	12.5	0.53	12.9	0.53	13.4	0.52	11.7										
2	1760	2682	2592	2500	2407	2311	2204	1913																	
	1845	0.58	16.2	0.60	15.8	0.61	14.8	0.63	14.0	0.64	13.6	0.65	14.3	0.65	14.7										
1	1400	2876	2792	2707	2620	2532	2440	2209	1898																
	1465	0.70	18.0	0.72	18.0	0.74	17.1	0.76	15.8	0.77	15.3	0.78	15.3	0.79	16.7	0.78	15.1								
1	1400	3024	2944	2863	2780	2697	2613	2416	2147	1771															
	1465	0.81	18.8	0.83	18.8	0.85	18.5	0.87	17.5	0.88	16.8	0.90	16.1	0.91	17.3	0.91	17.3	0.88	14.4						
1 1/2	1570	3171	3096	3019	2940	2860	2781	2607	2377	2090															
	1680	0.93	20	0.95	20	0.97	20	0.99	19.0	1.00	18.1	1.02	17.7	1.04	17.7	1.05	18.9	1.03	17.2						
2	1760	3409	3339	3267	3195	3120	3046	2894	2715	2483	2206														
	1845	1.14	23	1.16	23	1.18	23	1.20	22	1.22	20	1.24	19.8	1.27	19.4	1.29	21	1.29	21	1.27	18.9				
2	1760	3657	3592	3525	3458	3389	3320	3181	3032	2851	2625	2365													
	1845	1.39	25	1.41	25	1.44	25	1.46	25	1.48	24	1.50	22	1.54	21	1.57	21	1.58	23	1.57	23	1.56	21		
2	1760	3837	3775	3712	3648	3583	3517	3385	3248	3094	2876	2676	2412												
	1845	1.59	27	1.62	27	1.64	27	1.67	27	1.69	25	1.71	24	1.75	23	1.79	23	1.81	24	1.82	25	1.81	24	1.78	21
2	1760	4028	3969	3909	3848	3787	3724	3598	3471	3334	3174	2979	2758												
	1845	1.83	29	1.86	29	1.89	29	1.91	29	1.94	28	1.96	27	2.00	25	2.04	25	2.08	25	2.09	26	2.09	27	2.08	26

SCBD 150AHP

Max. Motor Frame Size = 184T

HP	RPM	STATIC PRESSURE (INCHES W.G.)																							
		0.50		0.75		1.00		1.25		1.50		1.75		2.00		2.25		2.50		2.75		3.00		3.25	
		CFM	Sone	CFM	Sone	CFM	Sone	CFM	Sone	CFM	Sone	CFM	Sone	CFM	Sone	CFM	Sone	CFM	Sone	CFM	Sone	CFM	Sone	CFM	Sone
1/3	950	1078																							
	1140	0.20	8.3																						
1/2	1230	1505	1261																						
	1320	0.34	10.4	0.34	10.8																				
3/4	1415	1682	1481	1226																					
	1510	0.42	11.9	0.43	12.0	0.42	11.5																		
1	1585	1853	1684	1465	1175																				
	1660	0.51	13.6	0.52	12.8	0.53	13.6	0.49	11.9																
1 1/2	1780	2029	1881	1698	1482																				
	1900	0.62	15.9	0.64	14.4	0.65	14.8	0.65	14.5																
2	1995	2201	2067	1914	1723	1512																			
	2090	0.75	17.8	0.77	16.1	0.79	15.5	0.79	16.5	0.78	15.6														
2	1995	2335	2210	2073	1906	1714	1484																		
	2090	0.86	19.6	0.88	17.9	0.90	16.9	0.92	17.5	0.92	17.6	0.88	15.6												
2	1995	2468	2350	2224	2078	1902	1715	1444																	
	2090	0.98	21	1.01	19.0	1.03	18.0	1.05	18.1	1.05	19.0	1.05	17.8	0.97	16.6										
2	1995	2679	2570	2457	2333	2189	2023	1848	1615																
	2090	1.20	24	1.23	22	1.26	20	1.28	19.4	1.29	20	1.30	21	1.29	19.9	1.23	18.4								
2	1995	2887	2787	2682	2573	2453	2313	2155	1992	1794															
	2090	1.45	27	1.48	25	1.51	23	1.54	22	1.56	22	1.58	22	1.58	23	1.57	22	1.53	20						
2	1995	3050	2956	2858	2756	2648	2527	2387	2235	2079	1889														
	2090	1.67	29	1.71	27	1.74	26	1.77	24	1.79	23	1.81	23	1.83	25	1.83	25	1.82	24	1.77	22				
2	1995	3213	3123	3031	2935	2835	2728	2607	2469	2324	2175	1995	1721												
	2090	1.91	31	1.95	29	1.99	28	2.02	26	2.05	25	2.07	25	2.09	25	2.10	26	2.10	26	2.09	26	2.04	24	1.86	24

NOTES:

1. Performance certified is for Installation Type A: Free inlet, free outlet.
2. Power rating (BHP) does not include transmission losses.
3. Performance ratings do not include the effects of appurtenances (accessories).
4. The sound ratings shown are loudness values in fan sones at 5 ft. (1.5m) in a hemispherical free field calculated per AMCA Standard 301.
5. Values shown are for Installation Type A: Free inlet, free outlet fan sone values.

Performance Data – Belt Driven

SCBD 165A

Max. Motor Frame Size = 184T

HP	RPM	STATIC PRESSURE (INCHES W.G.)																							
		0.125		0.25		0.375		0.50		0.625		0.75		1.00		1.25		1.50		1.75		2.00		2.25	
		CFM	Sone	CFM	Sone	CFM	Sone	CFM	Sone	CFM	Sone	CFM	Sone	CFM	Sone	CFM	Sone	CFM	Sone	CFM	Sone	CFM	Sone	CFM	Sone
1/3	800	2314		2167		1981		1706																	
		0.24	10.3	0.26	9.0	0.27	7.9	0.26	8.4																
1/2	875	2555		2426		2274		2079		1809															
		0.32	12.1	0.33	10.8	0.35	9.5	0.35	9.4	0.35	9.7														
3/4	940	2762		2646		2513		2353		2141		1889													
		0.39	13.3	0.41	12.8	0.42	11.3	0.43	10.3	0.43	10.9	0.43	10.7												
1	1005	2968		2861		2742		2605		2442		2218													
		0.47	14.9	0.49	14.4	0.51	13.0	0.52	11.8	0.53	11.7	0.53	12.2												
1 1/2	1075	3188		3090		2983		2864		2726		2561		2127											
		0.57	16.2	0.60	16.1	0.62	15.1	0.63	13.9	0.64	13.1	0.65	13.1	0.64	13.0										
2	1150	3423		3333		3236		3130		3012		2877		2508		2066									
		0.70	18.1	0.72	18.1	0.75	17.4	0.77	15.9	0.78	15.0	0.79	14.3	0.79	15.0	0.76	13.8								
3	1205	3595		3510		3419		3321		3213		3093		2787		2395									
		0.80	19.4	0.83	19.5	0.85	18.7	0.88	17.8	0.89	16.2	0.90	15.7	0.91	15.8	0.9	15.3								
1 1/2	1260	3766		3686		3600		3508		3409		3300		3040		2672		2265							
		0.91	21	0.94	21	0.97	20	0.99	19.0	1.01	18.2	1.03	17.2	1.04	16.7	1.03	17.1	1	15.2						
2	1350	4046		3972		3893		3810		3722		3627		3410		3129		2775		2352					
		1.12	23	1.15	23	1.18	23	1.21	22	1.23	20	1.25	19.6	1.28	18.3	1.28	19.1	1.27	18.6	1.22	16.9				
3	1445	4341		4272		4200		4124		4045		3961		3774		3553		3259		2931		2531			
		1.37	25	1.40	25	1.43	25	1.46	24	1.49	24	1.52	23	1.55	21	1.57	20	1.57	21	1.55	20	1.5	18.0		
1	1520	4573		4508		4440		4369		4295		4218		4049		3854		3621		3310		3007			
		1.59	27	1.62	27	1.66	27	1.69	27	1.72	26	1.75	25	1.79	23	1.82	22	1.83	22	1.82	23	1.81	21		
2	1590	4789		4727		4663		4596		4527		4455		4299		4123		3921		3667		3360		3071	
		1.81	28	1.85	28	1.89	28	1.92	28	1.95	28	1.98	27	2.04	25	2.07	24	2.09	23	2.1	24	2.08	24	2.06	22
3	1705	5144		5087		5027		4966		4903		4838		4699		4547		4377		4184		3946		3658	
		2.23	32	2.27	32	2.31	32	2.35	32	2.38	32	2.42	32	2.48	30	2.53	28	2.56	27	2.58	26	2.59	27	2.57	27
1 1/2	1820	5499		5445		5390		5333		5275		5216		5090		4955		4807		4644		4461		4241	
		2.70	36	2.75	36	2.79	36	2.83	36	2.87	36	2.91	36	2.98	34	3.04	32	3.09	31	3.12	29	3.14	29	3.15	30

SCBD 165AHP

Max. Motor Frame Size = 184T

HP	RPM	STATIC PRESSURE (INCHES W.G.)																							
		0.75		1.00		1.25		1.50		1.75		2.00		2.25		2.50		2.75		3.00		3.25		3.50	
		CFM	Sone	CFM	Sone	CFM	Sone	CFM	Sone	CFM	Sone	CFM	Sone	CFM	Sone	CFM	Sone	CFM	Sone	CFM	Sone	CFM	Sone	CFM	Sone
1/2	1000	1620		1053																					
		0.37	9.2	0.33	8.2																				
3/4	1130	2070		1776		1294																			
		0.53	10.6	0.53	10.6	0.49	9.7																		
1	1210	2322		2071		1764																			
		0.65	11.3	0.65	12.1	0.65	10.5																		
2	1290	2564		2342		2088		1758																	
		0.78	12.3	0.79	12.8	0.79	12.7	0.78	11.5																
3	1350	2741		2535		2306		2039		1631															
		0.88	13.3	0.90	13.0	0.91	13.9	0.91	12.9	0.86	12.4														
1 1/2	1415	2928		2736		2529		2294		2009		1498													
		1.01	14.4	1.03	13.8	1.04	14.2	1.05	14.5	1.04	13.0	0.93	13.0												
2	1520	3222		3051		2867		2669		2446		2182		1769											
		1.24	16.7	1.27	15.2	1.29	15.2	1.30	16.1	1.30	15.7	1.29	14.5	1.21	14.6										
3	1620	3495		3341		3175		2998		2808		2597		2351		1995									
		1.48	18.9	1.52	17.0	1.54	16.2	1.56	16.8	1.57	17.2	1.57	17.2	1.56	15.7	1.49	15.7								
1 1/2	1700	3710		3567		3413		3250		3077		2890		2684		2443		2099							
		1.69	20	1.74	18.9	1.77	17.9	1.79	17.4	1.81	18.0	1.81	18.6	1.82	18.2	1.8	16.7	1.72	16.8						
2	1785	3936		3803		3660		3509		3350		3182		3000		2802		2572		2254					
		1.94	23	1.99	21	2.03	19.3	2.06	18.9	2.09	18.9	2.10	19.3	2.10	19.6	2.10	19.0	2.09	17.9	2.01	18.0				
3	1920	4289		4169		4042		3907		3766		3618		3464		3299		3121		2928		2697		2382	
		2.39	26	2.45	24	2.50	23	2.54	21	2.57	20	2.59	20	2.61	21	2.61	22	2.62	22	2.62	20	2.59	19.7	2.49	19.7
1 1/2	2040	4600		4489		4373		4250		4122		3988		3849		3704		3551		3388		3214		3020	
		2.84	28	2.91	27	2.97	25	3.01	24	3.05	23	3.08	22	3.11	22	3.13	23	3.13	24	3.14	24	3.14	23	3.13	22

NOTES:

- Performance certified is for Installation Type A: Free inlet, free outlet.
- Power rating (BHP) does not include transmission losses.
- Performance ratings do not include the effects of appurtenances (accessories).
- The sound ratings shown are loudness values in fan sones at 5 ft. (1.5m) in a hemispherical free field calculated per AMCA Standard 301.
- Values shown are for Installation Type A: Free inlet, free outlet fan sone values.

Performance Data – Belt Driven

SCBD 180A

Max. Motor Frame Size = 184T

HP	RPM	STATIC PRESSURE (INCHES W.G.)																							
		0.125		0.25		0.375		0.50		0.625		0.75		1.00		1.25		1.50		1.75		2.00		2.25	
		CFM	Sone	CFM	Sone	CFM	Sone	CFM	Sone	CFM	Sone	CFM	Sone	CFM	Sone	CFM	Sone	CFM	Sone	CFM	Sone	CFM	Sone	CFM	Sone
1/3	675	2544	2342	2060	1671																				
	750	2864	2695	2485	2184	1830																			
1/2	810	3117	2966	2788	2564	2249	1892																		
	865	3347	3209	3052	2864	2618	2317																		
3/4	925	3597	3470	3330	3168	2976	2718																		
	985	3845	3728	3601	3458	3295	3100	2583																	
1	1035	4052	3942	3823	3693	3546	3378	2914																	
	1085	4257	4153	4042	3922	3789	3640	3252	2775																
1 1/2	1160	4565	4469	4367	4259	4142	4013	3709	3277	2819															
	1240	4892	4803	4710	4611	4507	4394	4137	3809	3387	2919														
2	1300	5137	5053	4965	4873	4775	4672	4440	4164	3789	3396														
	1365	5402	5322	5239	5153	5062	4967	4757	4514	4215	3827	3457													
3	1460	5789	5715	5638	5559	5476	5390	5205	4997	4758	4462	4097	3754												
	1560	6195	6126	6055	5982	5906	5828	5662	5480	5277	5047	4765	4422												

SCBD 180AHP

Max. Motor Frame Size = 184T

HP	RPM	STATIC PRESSURE (INCHES W.G.)																							
		0.75		1.00		1.25		1.50		1.75		2.00		2.25		2.50		2.75		3.00		3.25		3.50	
		CFM	Sone	CFM	Sone	CFM	Sone	CFM	Sone	CFM	Sone	CFM	Sone	CFM	Sone	CFM	Sone	CFM	Sone	CFM	Sone	CFM	Sone	CFM	Sone
1/2	875	1753																							
	970	2218	1785																						
3/4	1040	2524	2179	1645																					
	1105	2793	2492	2124																					
1	1160	3013	2739	2422	1982																				
	1215	3227	2974	2691	2354	1778																			
1 1/2	1300	3549	3322	3075	2799	2468	1915																		
	1390	3881	3676	3456	3219	2954	2640	2155																	
2	1460	4133	3944	3740	3524	3288	3027	2710	2217																
	1530	4381	4206	4016	3816	3603	3371	3114	2797	2311															
3	1640	4766	4608	4438	4258	4070	3871	3657	3423	3157	2800	2202													
	1750	5145	5000	4847	4685	4515	4338	4152	3953	3740	3507	3226	2843												

NOTES:

1. Performance certified is for Installation Type A: Free inlet, free outlet.
2. Power rating (BHP) does not include transmission losses.
3. Performance ratings do not include the effects of appurtenances (accessories).
4. The sound ratings shown are loudness values in fan sones at 5 ft. (1.5m) in a hemispherical free field calculated per AMCA Standard 301.
5. Values shown are for Installation Type A: Free inlet, free outlet fan sone values.

Performance Data – Belt Driven

SCBD 210A

Max. Motor Frame Size = 184T

HP	RPM	STATIC PRESSURE (INCHES W.G.)																							
		0.125		0.25		0.375		0.50		0.625		0.75		1.00		1.25		1.50		1.75		2.00		2.25	
		CFM	Sone	CFM	Sone	CFM	Sone	CFM	Sone	CFM	Sone	CFM	Sone	CFM	Sone	CFM	Sone	CFM	Sone	CFM	Sone	CFM	Sone	CFM	Sone
1/3	550	2810	2508	2029																					
		0.22	7.5	0.23	6.2	0.23	6.4																		
1/2	630	3286	3052	2745		2297																			
		0.32	10.0	0.34	8.4	0.35	7.8	0.35	8.1																
3/4	675	3550	3340	3082		2711		2274																	
		0.39	11.3	0.42	9.9	0.43	8.8	0.43	9.2	0.42	9.1														
1	720	3811	3621	3396		3109		2710																	
		0.47	12.7	0.50	11.5	0.52	10.1	0.52	9.9	0.52	10.3														
1 1/2	770	4099	3926	3728		3490		3173		2798															
		0.58	14.3	0.60	13.4	0.63	11.6	0.64	10.8	0.64	11.4	0.63	11.3												
2	825	4415	4256	4080		3877		3635		3304															
		0.70	16.2	0.73	15.3	0.76	13.9	0.78	12.5	0.79	12.3	0.79	12.8												
3	865	4643	4494	4330		4146		3932		3667		2998													
		0.81	17.3	0.84	16.8	0.87	15.4	0.89	14.0	0.91	13.2	0.91	13.6	0.89	13.7										
1 1/2	905	4871	4730	4577		4408		4215		3992		3376													
		0.92	18.6	0.96	18.3	0.99	16.7	1.01	15.4	1.03	14.6	1.04	14.1	1.03	15.0										
2	970	5239	5110	4971		4821		4655		4468		3977		3382											
		1.13	20	1.17	20	1.20	19.6	1.23	18.0	1.26	16.8	1.27	15.9	1.28	16.7	1.26	16.3								
3	1040	5635	5516	5389		5254		5109		4949		4570		4031		3454									
		1.38	22	1.43	22	1.47	22	1.50	21	1.53	19.9	1.56	18.3	1.58	17.9	1.57	18.4	1.53	17.6						
1	1090	5917	5804	5685		5559		5424		5279		4944		4497		3967									
		1.59	24	1.63	24	1.68	24	1.71	23	1.75	22	1.78	20	1.81	19.1	1.82	20	1.80	19.6						
2	1140	6198	6091	5978		5860		5735		5601		5299		4929		4423		3922							
		1.81	26	1.86	26	1.90	25	1.95	25	1.99	24	2.02	23	2.06	21	2.08	21	2.07	22	2.04	20				
3	1225	6675	6576	6473		6366		6253		6135		5875		5573		5200		4719		4258					
		2.24	28	2.29	28	2.34	28	2.39	28	2.43	27	2.47	26	2.53	24	2.57	23	2.58	23	2.56	23	2.53	22	2.53	22
1 1/2	1305	7123	7031	6935		6836		6733		6626		6395		6135		5835		5458		5003		4573			
		2.70	30	2.75	30	2.81	30	2.86	30	2.91	30	2.95	29	3.03	27	3.09	26	3.12	25	3.12	26	3.10	26	3.07	24

SCBD 210AHP

Max. Motor Frame Size = 184T

HP	RPM	STATIC PRESSURE (INCHES W.G.)																							
		0.25		0.50		0.75		1.00		1.25		1.50		1.75		2.00		2.25		2.50		2.75		3.00	
		CFM	Sone	CFM	Sone	CFM	Sone	CFM	Sone	CFM	Sone	CFM	Sone	CFM	Sone	CFM	Sone	CFM	Sone	CFM	Sone	CFM	Sone	CFM	Sone
1/2	700	2665	2166																						
		0.33	7.3	0.34	7.4																				
3/4	810	3208	2816	2338																					
		0.49	10.0	0.52	8.8	0.53	9.3																		
1	865	3471	3118	2702		2144																			
		0.59	11.3	0.63	10.0	0.64	10.6	0.63	9.5																
2	925	3755	3435	3066		2628		1894																	
		0.72	12.9	0.76	11.7	0.78	11.7	0.79	11.6	0.72	10.6														
3	970	3966	3668	3325		2934		2424																	
		0.82	14.0	0.87	12.6	0.90	12.2	0.91	13.0	0.89	11.5														
1 1/2	1015	4175	3895	3576		3221		2798		2102															
		0.93	14.9	0.99	13.9	1.02	13.0	1.04	13.8	1.04	12.6	0.96	12.2												
2	1090	4521	4267	3982		3668		3316		2895		2164													
		1.15	16.7	1.21	15.8	1.26	14.3	1.28	14.3	1.29	15.1	1.28	13.2	1.17	13.2										
3	1165	4864	4630	4374		4091		3785		3440		3024		2309											
		1.39	18.3	1.46	17.4	1.52	16.3	1.55	15.5	1.57	16.3	1.58	16.4	1.56	14.8	1.42	14.4								
1 1/2	1220	5115	4894	4654		4391		4109		3800		3450		2999											
		1.59	19.4	1.66	18.8	1.73	17.6	1.77	16.6	1.80	16.7	1.81	17.5	1.81	16.7	1.77	15.5								
3	1280	5387	5178	4955		4711		4449		4169		3860		3510		3037									
		1.82	21	1.91	21	1.98	19.0	2.03	17.9	2.06	17.6	2.08	18.5	2.09	18.7	2.09	17.2	2.02	16.6						
1 1/2	1370	5793	5600	5396		5178		4942		4693		4428		4137		3815		3412		2776					
		2.22	23	2.31	23	2.39	22	2.46	20	2.50	19.1	2.54	19.1	2.55	20	2.56	20	2.56	19.1	2.52	18.4	2.34	18.4		
3	1465	6220	6041	5854		5656		5445		5220		4985		4736		4466		4172		3830		3361			
		2.70	25	2.80	25	2.89	24	2.97	23	3.03	21	3.07	21	3.11	21	3.12	22	3.13	22	3.13	21	3.11	19.8	3	19.9

NOTES:

- Performance certified is for Installation Type A: Free inlet, free outlet.
- Power rating (BHP) does not include transmission losses.
- Performance ratings do not include the effects of appurtenances (accessories).
- The sound ratings shown are loudness values in fan sones at 5 ft. (1.5m) in a hemispherical free field calculated per AMCA Standard 301.
- Values shown are for Installation Type A: Free inlet, free outlet fan sone values.

Performance Data – Belt Driven

SCBD 225A

Max. Motor Frame Size = 215T

HP	RPM	STATIC PRESSURE (INCHES W.G.)																							
		0.125		0.25		0.375		0.50		0.625		0.75		1.00		1.25		1.50		1.75		2.00		2.25	
		CFM	Sone	CFM	Sone	CFM	Sone	CFM	Sone	CFM	Sone	CFM	Sone	CFM	Sone	CFM	Sone	CFM	Sone	CFM	Sone	CFM	Sone	CFM	Sone
1/3	450	3358	2784																						
	520	0.21 5.5	0.22 5.7																						
1/2	560	4384	3994	3518		2870																			
	600	0.40 8.7	0.42 8.1	0.43 8.7	0.42 7.5																				
3/4	640	5105	4783	4416	3982	3436																			
	685	0.58 11.1	0.61 10.1	0.63 9.9	0.65 10.7	0.63 9.7																			
1	720	5505	5211	4883	4509	4065	3500																		
	750	0.71 12.1	0.74 11.5	0.77 10.9	0.79 11.6	0.79 11.6	0.77 10.3																		
1 1/2	810	5814	5538	5235	4896	4506	4041																		
	865	0.82 13.1	0.85 12.8	0.89 11.8	0.91 11.9	0.92 12.6	0.91 12.5																		
2	910	6078	5816	5531	5215	4861	4448																		
	950	0.92 14.1	0.96 13.9	0.99 12.6	1.02 12.6	1.04 13.3	1.04 13.5																		
3	1025	6603	6364	6109	5831	5528	5190	4353																	
	1085	1.15 15.6	1.19 15.6	1.23 14.3	1.27 13.6	1.29 13.8	1.31 14.6	1.29 13.9																	
5	1185	7081	6861	6626	6376	6106	5813	5123	4138																
	1285	1.39 16.8	1.44 16.8	1.49 15.9	1.52 14.7	1.56 14.7	1.58 15.3	1.59 15.9	1.52 13.6																

SCBD 225AHP

Max. Motor Frame Size = 215T

HP	RPM	STATIC PRESSURE (INCHES W.G.)																							
		0.75		1.00		1.25		1.50		1.75		2.00		2.25		2.50		2.75		3.00		3.25		3.50	
		CFM	Sone	CFM	Sone	CFM	Sone	CFM	Sone	CFM	Sone	CFM	Sone	CFM	Sone	CFM	Sone	CFM	Sone	CFM	Sone	CFM	Sone	CFM	Sone
3/4	725	2733																							
	785	0.62 9.1																							
1	820	3288	2568																						
	860	0.79 10.8	0.76 9.7																						
1 1/2	920	3625	2986																						
	985	0.91 11.5	0.89 10.9																						
2	1035	3982	3369	2599																					
	1085	1.04 11.8	1.04 11.8	0.98 11.1																					
3	1160	4451	3927	3372	2337																				
	1240	1.26 12.6	1.28 13.4	1.26 12.9	1.12 12.1																				
5	1355	4919	4530	3981	3446	2228																			
	1470	1.52 14.0	1.56 14.3	1.57 14.8	1.53 13.7	1.30 12.9																			

NOTES:

1. Performance certified is for Installation Type A: Free inlet, free outlet.
2. Power rating (BHP) does not include transmission losses.
3. Performance ratings do not include the effects of appurtenances (accessories).
4. The sound ratings shown are loudness values in fan sones at 5 ft. (1.5m) in a hemispherical free field calculated per AMCA Standard 301.
5. Values shown are for Installation Type A: Free inlet, free outlet fan sone values.

Performance Data – Belt Driven

SCBD 245A

Max. Motor Frame Size = 215T

HP	RPM	STATIC PRESSURE (INCHES W.G.)																							
		0.125		0.25		0.375		0.50		0.625		0.75		1.00		1.25		1.50		1.75		2.00		2.25	
		CFM	Sone	CFM	Sone	CFM	Sone	CFM	Sone	CFM	Sone	CFM	Sone	CFM	Sone	CFM	Sone	CFM	Sone	CFM	Sone	CFM	Sone	CFM	Sone
1/2	475	4748	8.3	4292	7.3	3692	6.6																		
	505	5097	9.4	4686	8.0	4171	7.6	3523																	
3/4	540	5500	10.3	5129	9.4	4684	8.6	4122		3387															
	575	5900	11.5	5561	10.6	5166	9.8	4690		4122															
1	600	6183	12.3	5864	11.4	5498	10.5	5070		4545		3946													
	630	6522	13.3	6222	12.7	5886	11.8	5499		5040		4517													
1 1/2	675	7027	14.4	6752	13.9	6452	12.9	6113		5729		5275													
	725	7585	15.8	7334	15.8	7063	14.4	6765		6434		6062		5173											
2	760	7974	17.1	7736	17.1	7483	16.9	7208		6906		6572		5767		4638									
	795	8362	18.3	8136	18.3	7898	18.3	7642		7364		7059		6345		5506									
3	850	8969	19.8	8761	19.8	8542	19.8	8310		8062		7795		7191		6453		5615							
	910	9630	21.0	9437	21.0	9236	21.0	9025		8803		8566		8042		7429		6712		5866					
5	995	10563	25.0	10389	25.0	10208	25.0	10020		9825		9620		9177		8680		8109		7454		6764			
	1080	11494	28.0	11334	28.0	11170	28.0	11000		10825		10644		10259		9835		9368		8841		8244		7629	
7 1/2	1160	12367	30.0	12220	30.0	12068	30.0	11913		11753		11589		11244		10871		10466		10026		9536		8986	
	1235	13185	33.0	13047	33.0	12906	33.0	12762		12614		12462		12147		11812		11451		11063		10646		10186	

SCBD 245AHP

Max. Motor Frame Size = 215T

HP	RPM	STATIC PRESSURE (INCHES W.G.)																							
		0.75		1.00		1.25		1.50		1.75		2.00		2.25		2.50		2.75		3.00		3.25		3.50	
		CFM	Sone	CFM	Sone	CFM	Sone	CFM	Sone	CFM	Sone	CFM	Sone	CFM	Sone	CFM	Sone	CFM	Sone	CFM	Sone	CFM	Sone	CFM	Sone
1	650	3332	9.8																						
	730	4232	12.0	3570	10.9																				
1 1/2	780	4731	12.7	4208	13.1	3435																			
	835	5257	13.3	4806	14.6	4248	12.6	3404																	
2	875	5627	14.3	5210	15.4	4739	13.9	4092																	
	915	5989	15.2	5602	16.0	5179	16.5	4658		3927															
3	980	6566	17.2	6218	17.4	5842	18.6	5432		4920		4231		2.46	16.5										
	1050	7176	19.8	6857	19.8	6523	21.0	6165		5773		5292		4667											
5	1150	8030	24.0	7743	22.0	7450	23.0	7143		6818		6472		6075		5585		4976							
	1245	8828	27.0	8566	26.0	8300	28.0	8027		7743		7443		7131		6788		6386		5901		5317			
7 1/2	1335	9575	30.0	9332	30.0	9086	32.0	8837		8581		8315		8038		7750		7443		7100		6698		6226	
	1425	10314	33.0	10089	33.0	9860	34.0	9628		9394		9154		8905		8646		8380		8102		7801		7462	

NOTES:

1. Performance certified is for Installation Type A: Free inlet, free outlet.
2. Power rating (BHP) does not include transmission losses.
3. Performance ratings do not include the effects of appurtenances (accessories).
4. The sound ratings shown are loudness values in fan sones at 5 ft. (1.5m) in a hemispherical free field calculated per AMCA Standard 301.
5. Values shown are for Installation Type A: Free inlet, free outlet fan sone values.

Performance Data – Belt Driven

SCBD 270A

Max. Motor Frame Size = 215T

HP	RPM	STATIC PRESSURE (INCHES W.G.)																							
		0.125		0.25		0.375		0.50		0.625		0.75		1.00		1.25		1.50		1.75		2.00		2.25	
		CFM	Sone	CFM	Sone	CFM	Sone	CFM	Sone	CFM	Sone	CFM	Sone	CFM	Sone	CFM	Sone	CFM	Sone	CFM	Sone	CFM	Sone	CFM	Sone
1/2	375	5140	4357																						
		0.36	9.2	0.38	7.0																				
3/4	420	5895	5263	4470																					
		0.49	11.6	0.52	8.5	0.53	8.7																		
1	450	6387	5839	5140	4277																				
		0.60	12.6	0.64	10.4	0.65	10.0	0.64	8.2																
1 1/2	480	6874	6390	5762	5043																				
		0.72	14.1	0.77	12.9	0.79	10.3	0.79	10.6																
2	500	7196	6744	6162	5507	4690																			
		0.82	15.0	0.86	14.2	0.89	11.5	0.89	11.8	0.87	9.5														
3	525	7595	7178	6653	6050	5356																			
		0.94	14.7	0.99	15.5	1.02	12.5	1.03	12.2	1.02	11.7														
4	565	8230	7855	7409	6869	6290	5614																		
		1.16	16.0	1.21	16.0	1.26	14.8	1.28	13.4	1.29	13.9	1.27	12.8												
5	605	8861	8519	8130	7659	7140	6578																		
		1.42	17.5	1.47	17.5	1.53	17.3	1.56	15.2	1.58	14.8	1.58	15.6												
6	635	9332	9010	8653	8232	7746	7240	6008																	
		1.63	18.7	1.69	18.7	1.75	19.3	1.79	16.9	1.82	16.0	1.83	16.4	1.79	14.1										
7	665	9801	9498	9166	8786	8340	7867	6798																	
		1.87	20	1.93	20	1.99	20	2.04	18.9	2.08	17.3	2.10	17.3	2.08	17.0										
8	710	10502	10223	9921	9589	9204	8772	7853	6719																
		2.26	22	2.33	22	2.40	22	2.46	22	2.51	19.9	2.54	19.0	2.56	20	2.50	17.0								
9	760	11278	11021	10746	10450	10122	9746	8922	7999	6755															
		2.76	23	2.84	23	2.91	23	2.98	23	3.04	22	3.08	21	3.14	21	3.12	22	2.98	17.4						
10	830	12361	12128	11884	11624	11347	11042	10330	9564	8702	7635														
		3.58	26	3.67	26	3.75	26	3.83	26	3.90	26	3.96	25	4.05	24	4.09	25	4.06	24	3.95	20				
12	900	13440	13228	13007	12775	12531	12272	11678	10994	10281	8555														
		4.55	30	4.64	30	4.73	30	4.82	30	4.90	30	4.98	30	5.10	27	5.18	27	5.21	29	5.18	28	5.09	24		
14	965	14439	14243	14040	13829	13608	13376	12869	12272	11625	10952	10205	9365												
		5.59	33	5.69	33	5.79	33	5.89	33	5.98	33	6.06	33	6.21	32	6.33	31	6.40	30	6.42	31	6.39	31	6.31	28
16	1030	15437	15254	15066	14872	14670	14460	14011	13499	12916	12307	11673	10978												
		6.78	37	6.89	37	7.00	37	7.10	37	7.20	37	7.30	37	7.47	36	7.62	35	7.73	33	7.79	34	7.81	36	7.78	34

SCBD 270AHP

Max. Motor Frame Size = 215T

HP	RPM	STATIC PRESSURE (INCHES W.G.)																							
		0.75		1.00		1.25		1.50		1.75		2.00		2.25		2.50		2.75		3.00		3.25		3.50	
		CFM	Sone	CFM	Sone	CFM	Sone	CFM	Sone	CFM	Sone	CFM	Sone	CFM	Sone	CFM	Sone	CFM	Sone	CFM	Sone	CFM	Sone	CFM	Sone
1	530	2972																							
		0.64	7.7																						
1 1/2	605	4674																							
		1.04	10.1																						
2	650	5444	4515																						
		1.29	12.2	1.28	11.1																				
3	695	6139	5335	4251																					
		1.56	13.6	1.58	12.5	1.50	12.5																		
4	730	6631	5941	5113																					
		1.80	14.0	1.83	14.4	1.81	13.4																		
5	760	7032	6440	5666	4611																				
		2.02	14.7	2.06	15.8	2.06	14.2	1.96	14.3																
6	815	7744	7269	6623	5891	4762																			
		2.47	17.0	2.51	17.0	2.55	17.1	2.53	15.9	2.37	16.4														
7	870	8438	8020	7519	6861	6171	5040																		
		2.98	19.0	3.04	18.4	3.08	19.0	3.11	18.8	3.07	17.7	2.88	18.1												
8	950	9431	9055	8663	8189	7589	6965	6216																	
		3.83	23	3.91	21	3.96	21	4.01	22	4.05	22	4.02	20	3.92	21										
9	1030	10411	10061	9714	9345	8905	8362	7784	7184	6276															
		4.81	26	4.93	25	5.01	24	5.06	23	5.11	25	5.15	25	5.15	23	5.08	23	4.88	23						
10	1105	11318	10989	10666	10340	9990	9580	9082	8541	8004	7374	6259													
		5.87	29	6.02	28	6.13	27	6.20	26	6.25	26	6.31	27	6.36	27	6.36	26	6.32	25	6.2	26	5.84	26		
12	1185	12275	11969	11663	11363	11057	10731	10357	9911	9411	8912	8398	7756												
		7.15	33	7.33	33	7.48	31	7.58	30	7.65	29	7.70	29	7.76	30	7.82	31	7.85	30	7.83	28	7.76	29	7.61	29

NOTES:

1. Performance certified is for Installation Type A: Free inlet, free outlet.
2. Power rating (BHP) does not include transmission losses.
3. Performance ratings do not include the effects of appurtenances (accessories).
4. The sound ratings shown are loudness values in fan sones at 5 ft. (1.5m) in a hemispherical free field calculated per AMCA Standard 301.
5. Values shown are for Installation Type A: Free inlet, free outlet fan sone values.

Performance Data – Belt Driven

SCBD 300A

Max. Motor Frame Size = 215T

HP	RPM	STATIC PRESSURE (INCHES W.G.)																							
		0.125		0.25		0.375		0.50		0.625		0.75		1.00		1.25		1.50		1.75		2.00		2.25	
		CFM	Sone	CFM	Sone	CFM	Sone	CFM	Sone	CFM	Sone	CFM	Sone	CFM	Sone	CFM	Sone	CFM	Sone	CFM	Sone	CFM	Sone	CFM	Sone
1	400	7531	6837	5958	4778																				
	450	0.68 12.9	0.72 10.2	0.74 9.8	0.70 7.3																				
1 1/2	480	8610	8054	7336	6527	5478																			
	515	0.96 14.9	1.01 14.3	1.04 11.4	1.05 11.8	1.01 9.0																			
2	540	9248	8747	8121	7397	6570																			
	565	1.15 16.8	1.21 16.8	1.25 13.4	1.27 13.2	1.26 12.7																			
3	605	9988	9535	8999	8348	7651	6839																		
	645	1.42 17.5	1.48 17.5	1.53 15.9	1.56 14.2	1.57 14.4	1.55 13.4																		
5	710	10513	10088	9602	9007	8363	7650																		
	770	1.62 18.5	1.69 18.5	1.75 18.0	1.79 15.2	1.81 15.3	1.80 15.5																		
7 1/2	825	11035	10636	10188	9651	9045	8406	6721																	
	880	1.85 19.2	1.93 19.2	1.99 19.3	2.04 16.8	2.07 15.7	2.08 16.6	1.98 12.8																	
1	390	11869	11502	11101	10642	10104	9532	8240																	
	515	2.26 21	2.34 21	2.42 21	2.48 20	2.52 18.2	2.55 17.7	2.53 17.3																	
1 1/2	550	12698	12360	11994	11592	11126	10602	9488	8112																
	590	2.73 23	2.82 23	2.90 23	2.97 23	3.03 20	3.07 19.6	3.09 20	3.01 17.4																
2	620	14040	13739	13418	13074	12700	12273	11316	10274	9019															
	650	3.62 26	3.72 26	3.81 26	3.89 26	3.97 26	4.03 24	4.11 23	4.11 24	4.03 20															
3	700	15274	14999	14711	14406	14081	13729	12903	12002	11016	9858														
	745	4.60 28	4.71 28	4.81 28	4.90 28	4.99 28	5.07 28	5.19 25	5.25 25	5.24 27	5.15 24														
5	810	16402	16148	15883	15606	15314	15005	14300	13484	12632	11690	10607													
	880	5.64 31	5.76 31	5.87 31	5.97 31	6.07 31	6.16 31	6.32 30	6.42 28	6.47 30	6.44 29	6.34 26													
7 1/2	945	17527	17291	17046	16791	16525	16247	15636	14919	14139	13330	12435	11429												
	1010	6.83 34	6.95 34	7.07 34	7.19 34	7.30 34	7.40 34	7.59 32	7.73 32	7.82 31	7.85 33	7.81 33	7.71 30												

SCBD 300AHP

Max. Motor Frame Size = 215T

HP	RPM	STATIC PRESSURE (INCHES W.G.)																							
		0.50		0.75		1.00		1.25		1.50		1.75		2.00		2.25		2.50		2.75		3.00		3.25	
		CFM	Sone	CFM	Sone	CFM	Sone	CFM	Sone	CFM	Sone	CFM	Sone	CFM	Sone	CFM	Sone	CFM	Sone	CFM	Sone	CFM	Sone	CFM	Sone
1	390	2715																							
	515	0.40 5.6																							
1 1/2	550	6049	4817																						
	590	1.02 9.6	1.02 8.8																						
2	620	6697	5656																						
	650	1.24 10.5	1.26 10.3																						
3	700	7396	6568	5439																					
	745	1.52 12.1	1.55 12.5	1.54 11.2																					
5	810	7905	7196	6180	4525																				
	880	1.75 13.6	1.79 13.9	1.81 12.0	1.63 12.3																				
7 1/2	945	8407	7773	6876	5807																				
	1010	2.00 15.4	2.05 14.1	2.09 14.4	2.04 13.6																				
1	390	9233	8668	7984	7069	5958																			
	515	2.47 18.2	2.54 15.7	2.59 16.7	2.60 15.1	2.51 15.2																			
1 1/2	550	9968	9440	8872	8107	7228	5967																		
	590	2.95 21	3.04 17.5	3.09 17.6	3.14 18.0	3.12 16.2	2.96 16.8																		
2	620	11018	10527	10039	9480	8742	7935	6942																	
	650	3.73 23	3.87 21	3.94 19.4	3.99 20	4.04 20	4.02 18.6	3.89 19.5																	
3	700	12133	11679	11233	10774	10241	9558	8815	8022	6584															
	745	4.71 25	4.89 25	5.00 23	5.06 22	5.12 23	5.17 23	5.17 22	5.08 22	4.73 22															
5	810	13157	12737	12316	11901	11464	10951	10314	9620	8917	7959														
	880	5.77 28	5.98 28	6.13 26	6.22 25	6.28 25	6.35 26	6.40 26	6.41 24	6.34 24	6.15 25														
7 1/2	945	14173	13782	13386	12997	12605	12188	11702	11112	10461	9818	9087	7869												
	1010	6.97 30	7.21 30	7.40 30	7.53 27	7.61 27	7.68 27	7.75 28	7.81 28	7.83 28	7.78 26	7.66 26	7.28 27												

NOTES:

- Performance certified is for Installation Type A: Free inlet, free outlet.
- Power rating (BHP) does not include transmission losses.
- Performance ratings do not include the effects of appurtenances (accessories).
- The sound ratings shown are loudness values in fan sones at 5 ft. (1.5m) in a hemispherical free field calculated per AMCA Standard 301.
- Values shown are for Installation Type A: Free inlet, free outlet fan sone values.

Performance Data – Belt Driven

SCBD 330A

Max. Motor Frame Size = 256T

HP	RPM	STATIC PRESSURE (INCHES W.G.)																							
		0.125		0.25		0.375		0.50		0.625		0.75		1.00		1.25		1.50		1.75		2.00		2.25	
		CFM	Sone	CFM	Sone	CFM	Sone	CFM	Sone	CFM	Sone	CFM	Sone	CFM	Sone	CFM	Sone	CFM	Sone	CFM	Sone	CFM	Sone	CFM	Sone
1	310	7663	8.7	6517	6.7	4805																			
	380	9752	14.0	8983	12.2	7994	6823																		
1 1/2	405	10479	15.6	9795	14.9	8908	7908	6582																	
	435	11343	17.6	10732	17.6	9970	9088	8082																	
2	455	11916	18.7	11343	18.7	10654	9829	8932	7858																
	475	12485	19.3	11946	19.3	11318	10550	9727	8787																
3	510	13477	21	12987	21	12438	11779	11036	10251	8162															
	545	14463	22	14013	22	13519	12954	12290	11588	9992															
5	600	16005	25	15606	25	15176	14708	14175	13569	12272	10750														
	650	17401	28	17037	28	16652	16240	15792	15286	14137	12898	11434													
7 1/2	700	18792	32	18458	32	18108	17737	17344	16918	15920	14826	13637	12250												
	745	20040	34	19729	34	19405	19065	18707	18329	17465	16464	15420	14263	12932											
10	780	21010	35	20714	35	20407	20088	19753	19401	18623	17707	16728	15697	14538	13186										
	820	22116	38	21837	38	21547	21247	20935	20610	19907	19089	18175	17226	15099											
		9.14	38	9.29	38	9.44	38	9.59	38	9.73	38	9.86	38	10.11	36	10.30	35	10.43	34	10.50	35	10.49	36	10.41	34

SCBD 330AHP

Max. Motor Frame Size = 256T

HP	RPM	STATIC PRESSURE (INCHES W.G.)																							
		0.75		1.00		1.25		1.50		1.75		2.00		2.25		2.50		2.75		3.00		3.25		3.50	
		CFM	Sone	CFM	Sone	CFM	Sone	CFM	Sone	CFM	Sone	CFM	Sone	CFM	Sone	CFM	Sone	CFM	Sone	CFM	Sone	CFM	Sone	CFM	Sone
1 1/2	440	4716																							
	500	7005	8.4	4831																					
2	525	7782	10.7	6329	10.3																				
	550	8512	12.4	7221	11.2																				
3	590	9567	13.3	8485	11.9	7198																			
	630	10536	16.4	9686	16.9	8557	7137																		
5	690	11923	19.5	11264	18.7	10413	9369	8178																	
	745	13162	23	12577	21	11928	11082	10111	9053																
7 1/2	800	14385	27	13842	24	13285	12645	11827	10922	9976	8380														
	855	15596	29	15081	27	14573	14039	13413	12637	11787	10930	9770													
10	900	16576	31	16084	31	15602	15113	14583	13953	13193	12386	11574	10550	8575											
	940	17440	33	16970	33	16504	16043	15562	15027	14386	13638	12867	12088	11130	9424										
		9.57	33	9.82	33	10.01	31	10.13	30	10.21	30	10.30	30	10.39	32	10.44	30	10.43	29	10.35	28	10.14	29	9.5	29

NOTES:

1. Performance certified is for Installation Type A: Free inlet, free outlet.
2. Power rating (BHP) does not include transmission losses.
3. Performance ratings do not include the effects of appurtenances (accessories).
4. The sound ratings shown are loudness values in fan sones at 5 ft. (1.5m) in a hemispherical free field calculated per AMCA Standard 301.
5. Values shown are for Installation Type A: Free inlet, free outlet fan sone values.

Performance Data – Belt Driven

SCBD 365A

Max. Motor Frame Size = 256T

HP	RPM	STATIC PRESSURE (INCHES W.G.)																								
		0.125		0.25		0.375		0.50		0.625		0.75		0.875		1.00		1.25		1.50		1.75		2.00		
		CFM	Sone	CFM	Sone	CFM	Sone	CFM	Sone	CFM	Sone	CFM	Sone	CFM	Sone	CFM	Sone	CFM	Sone	CFM	Sone	CFM	Sone	CFM	Sone	
1	240	7252	5314																							
	320	0.43 4.2	0.41 4.0																							
1 1/2	345	10451	9423	8064																						
	370	0.98 8.7	1.01 7.7	1.01 8.3																						
2	385	11407	10491	9375	7885																					
	405	1.21 10.6	1.26 9.2	1.28 9.8	1.23 8.7																					
3	435	12351	11523	10562	9338																					
	465	1.48 12.1	1.55 11.1	1.57 11.0	1.57 11.6																					
5	505	12914	12129	11237	10145	8770																				
	550	1.67 13.2	1.73 12.3	1.77 11.6	1.77 12.4	1.71 11.0																				
7 1/2	590	13659	12926	12107	11150	9953																				
	630	1.93 14.3	2.01 13.8	2.05 12.9	2.06 13.6	2.04 13.5																				
10	660	14771	14101	13368	12548	11578	10406																			
	695	2.38 15.9	2.46 15.7	2.52 14.5	2.55 14.5	2.56 15.4	2.51 14.5																			
10	695	15875	15258	14592	13866	13049	12081	10956																		
	695	2.89 17.3	2.99 17.3	3.06 16.1	3.10 15.6	3.12 16.5	3.12 16.6																			
10	695	17338	16779	16185	15548	14857	14087	13194	12173																	
	695	3.68 19.9	3.79 19.9	3.88 19.4	3.95 18.0	3.98 17.9	4.00 18.1	4.00 19.0	3.94 17.9																	
10	695	18976	18469	17937	17374	16777	16135	15430	14633	12747																
	695	4.72 23	4.85 23	4.96 23	5.05 21	5.11 19.9	5.14 19.7	5.16 21	5.17 21	5.03 18.8																
10	695	20425	19957	19470	18959	18422	17854	17248	16591	15040	13163															
	695	5.81 25	5.95 25	6.07 25	6.18 24	6.27 23	6.32 22	6.35 22	6.37 23	6.37 23	6.11 20															
10	695	21870	21435	20984	20516	20027	19515	18977	18407	17121	15565	13694														
	695	7.05 29	7.20 29	7.34 29	7.46 27	7.57 26	7.65 25	7.70 24	7.73 23	7.77 25	7.71 25	7.34 21														
10	695	22951	22538	22111	21669	21211	20733	20235	19712	18566	17212	15635														
	695	8.09 31	8.25 31	8.40 31	8.53 31	8.65 29	8.75 27	8.82 27	8.87 25	8.92 26	8.93 27	8.75 25														
10	695	24210	23820	23418	23003	22575	22131	21671	21192	20163	18996	17625	16081													
	695	9.43 34	9.60 34	9.76 34	9.90 34	10.04 33	10.15 31	10.25 29	10.31 29	10.39 29	10.43 30	10.40 29	10.14 26													

SCBD 365AHP

Max. Motor Frame Size = 256T

HP	RPM	STATIC PRESSURE (INCHES W.G.)																							
		0.25		0.50		0.75		1.00		1.25		1.50		1.75		2.00		2.25		2.50		2.75		3.00	
		CFM	Sone	CFM	Sone	CFM	Sone	CFM	Sone	CFM	Sone	CFM	Sone	CFM	Sone	CFM	Sone	CFM	Sone	CFM	Sone	CFM	Sone	CFM	Sone
1 1/2	380	8578	7022																						
	420	1.10 8.6	1.15 8.9																						
2	440	9743	8471	6844																					
	460	1.47 11.0	1.54 10.3	1.56 10.9																					
3	495	10320	9147	7646																					
	530	1.67 12.3	1.75 10.9	1.80 12.0																					
5	575	10895	9791	8397	6313																				
	625	1.90 13.7	1.99 11.2	2.04 12.5	1.82 12.5																				
7 1/2	670	11892	10869	9691	8320																				
	720	2.33 15.5	2.46 13.1	2.53 13.6	2.56 14.3																				
10	755	12878	11913	10907	9652	8246																			
	790	2.82 17.9	3.00 14.6	3.07 14.6	3.13 15.4	3.09 14.9																			
10	790	14135	13229	12355	11313	10134	8699																		
	790	3.55 21	3.78 17.4	3.88 16.0	3.96 17.0	4.01 17.0	3.87 16.2																		
10	790	15519	14674	13874	13026	12001	10917	9638																	
	790	4.50 23	4.79 20	4.93 18.3	5.02 18.1	5.10 19.3	5.15 18.6	5.04 17.3																	
10	790	16756	15964	15204	14454	13598	12604	11599	10408																
	790	5.49 26	5.83 24	6.03 21	6.13 20	6.22 21	6.30 21	6.35 21	6.23 19.3																
10	790	18122	17382	16660	15970	15249	14414	13477	12542	11517	9203														
	790	6.74 30	7.13 28	7.41 25	7.55 23	7.64 23	7.75 24	7.83 25	7.87 24	7.82 22	6.71 22														
10	790	19074	18366	17671	17008	16343	15607	14763	13855	12971	11949	9636													
	790	7.72 32	8.15 31	8.47 28	8.65 26	8.76 25	8.86 25	8.97 27	9.04 27	9.08 26	8.99 24	7.74 24													
10	790	20023	19345	18677	18034	17406	16745	15995	15159	14291	13446	12438	10227												
	790	8.80 35	9.27 34	9.62 31	9.86 29	9.99 28	10.09 28	10.21 28	10.31 30	10.36 29	10.41 27	10.28 26	8.91 26												

NOTES:

1. Performance certified is for Installation Type A: Free inlet, free outlet.
2. Power rating (BHP) does not include transmission losses.
3. Performance ratings do not include the effects of appurtenances (accessories).
4. The sound ratings shown are loudness values in fan sones at 5 ft. (1.5m) in a hemispherical free field calculated per AMCA Standard 301.
5. Values shown are for Installation Type A: Free inlet, free outlet fan sone values.

Performance Data – Belt Driven

SCBD 402A

Max. Motor Frame Size = 256T

HP	RPM	STATIC PRESSURE (INCHES W.G.)																							
		0.125		0.25		0.375		0.50		0.625		0.75		0.875		1.00		1.125		1.25		1.50		1.75	
		CFM	Sone	CFM	Sone	CFM	Sone	CFM	Sone	CFM	Sone	CFM	Sone	CFM	Sone	CFM	Sone	CFM	Sone	CFM	Sone	CFM	Sone	CFM	Sone
1 1/2	290	12803	8.6	11551	7.5	9898	8.1																		
	310	13837	10.3	12708	9.9	11321	9.4	9460																	
2	325	14605	11.1	13550	10.1	12305	10.2	10677																	
	340	15368	12.4	14377	11.4	13238	11.5	11810	9946																
3	365	16630	14.5	15729	13.5	14722	13.4	13542	12064																
	390	17882	16.1	17054	15.8	16146	15.5	15127	13911	12447															
5	430	19870	19.1	19136	18.3	18347	18.7	17491	16540	15433	14130	12574													
	465	21599	22	20929	22	20220	20	19462	18644	17742	16707	15514	14190												
7 1/2	500	23319	24	22703	24	22057	23	21374	20649	19871	19021	18061	16972	15788											
	535	25032	27	24462	27	23867	27	23245	22591	21900	21163	20365	19476	18483	16212										
10	555	26009	28	25462	28	24893	28	24300	23679	23028	22340	21604	20804	19915	17876										
	585	27471	30	26955	30	26421	30	25867	25290	24689	24060	23396	22690	21928	20169	18133									

SCBD 402AHP

Max. Motor Frame Size = 256T

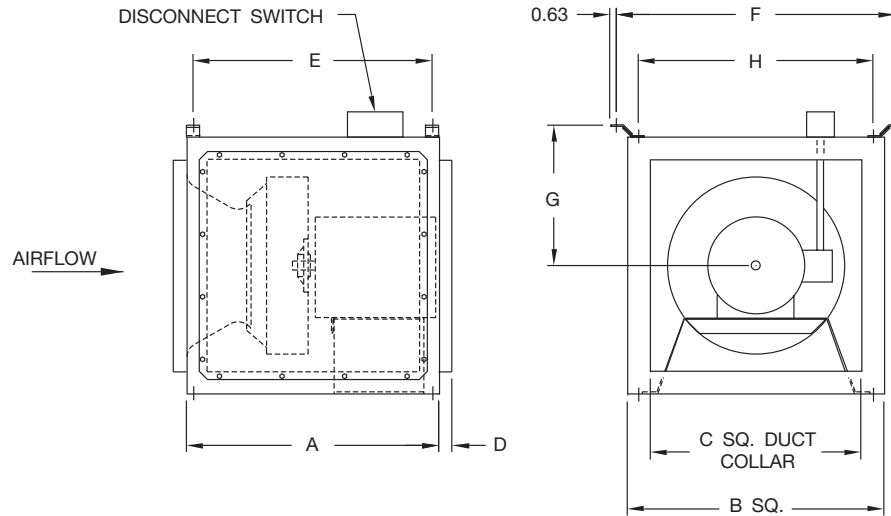
HP	RPM	STATIC PRESSURE (INCHES W.G.)																							
		0.50		0.75		1.00		1.25		1.50		1.75		2.00		2.25		2.50		2.75		3.00		3.25	
		CFM	Sone	CFM	Sone	CFM	Sone	CFM	Sone	CFM	Sone	CFM	Sone	CFM	Sone	CFM	Sone	CFM	Sone	CFM	Sone	CFM	Sone	CFM	Sone
1 1/2	300	6115																							
	355	9151	6.6																						
2	370	9886	9.6	7706																					
	390	10821	10.2	8929	10.7																				
3	420	12135	12.2	10463	13.2	8217																			
	445	13174	13.2	11713	14.1	10021	14.3																		
5	490	14984	15.7	13808	15.3	12337	16.3	10775																	
	530	16559	18.7	15516	17.1	14303	18.5	12888	11382																
7 1/2	570	18119	22	17148	19.2	16129	20	14901	13583	12127															
	605	19474	24	18544	22	17626	22	16575	15355	14125	12645														
10	640	20817	24	19924	24	19066	24	18152	17082	15903	14747	13278													
	670	21960	27	21097	25	20275	25	19437	18492	17412	16282	15169	13598												
15	715	23663	30	22847	27	22062	28	21294	20488	19572	18551	17490	16459	15234	12566										
	765	25541	35	24774	31	24023	31	23303	22582	21815	20953	20004	19011	18045	17034	15602									

NOTES:

1. Performance certified is for Installation Type A: Free inlet, free outlet.
2. Power rating (BHP) does not include transmission losses.
3. Performance ratings do not include the effects of appurtenances (accessories).
4. The sound ratings shown are loudness values in fan sones at 5 ft. (1.5m) in a hemispherical free field calculated per AMCA Standard 301.
5. Values shown are for Installation Type A: Free inlet, free outlet fan sone values.

Dimensional Data

Direct Drive



MODEL SCDD	A	B	C	D	E	F	G	H	DAMPER SIZE	AVG. SHIP WT. (LBS.)	SIDE DISCHARGE SIZE
080A	19.00	15.33	11.88	1.00	16.50	19.50	8.63	13.56	12.00 x 12.00	93	11.88 x 11.88
090A	19.00	15.33	11.88	1.00	16.50	19.50	8.63	13.56	12.00 x 12.00	96	11.88 x 11.88
100A	20.50	17.81	13.88	1.00	19.00	21.06	10.38	16.00	14.00 x 14.00	106	13.88 x 13.88
120A	21.50	19.38	15.88	1.00	20.00	22.06	11.13	17.00	16.00 x 16.00	127	15.88 x 15.88
135A/135AN	23.00	21.56	17.88	1.00	21.50	24.25	12.19	19.16	18.00 x 18.00	132	17.88 x 17.88
150A/150AN	24.00	23.82	19.88	1.00	22.50	26.38	13.29	21.31	20.00 x 20.00	157	19.88 x 19.88
165A/165AN	26.00	26.50	22.88	1.00	24.50	29.06	14.64	24.00	23.00 x 23.00	167	22.88 x 22.88

Notes:

1. All figures are in inches unless noted otherwise.
2. Average ship weight is for fan and motor assembly.
3. Dimensions are not to be used for construction.

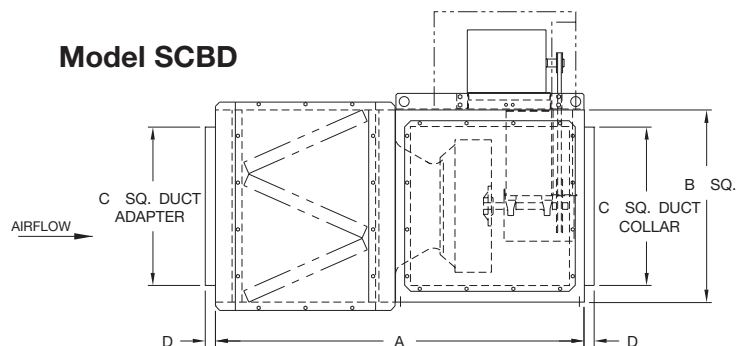
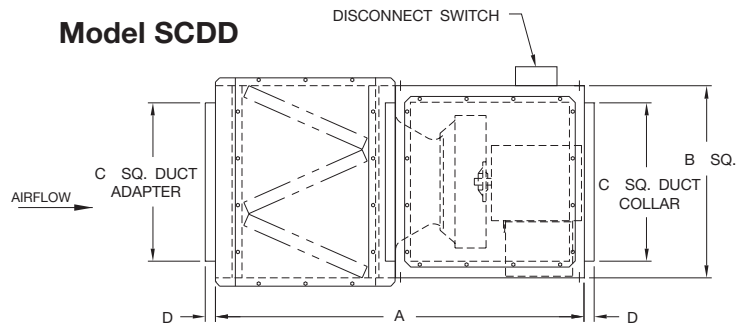
D-4210

Filter Box Assembly

SIZE	A	B	C	D
080A	45.63	15.33	11.88	1.00
090A	45.63	15.33	11.88	1.00
100A	47.25	17.81	13.88	1.00
120A/120AHP	52.00	19.38	15.88	1.00
135A/135AHP	53.00	21.56	17.88	1.00
150A/150AHP	54.00	23.82	19.88	1.00
165A/165AHP	54.00	26.50	22.88	1.00
180A/180AHP	55.00	29.00	23.88	1.50
210A/210AHP	61.50	32.34	29.88	1.50
225A/225AHP	66.00	34.00	29.88	1.50
245A/245AHP	66.00	37.50	32.88	1.50
270A/270AHP	71.00	40.13	35.88	1.50
300A/300AHP	74.00	44.13	39.88	1.50
330A/330AHP	77.50	48.81	43.88	1.50
365A/365AHP	79.00	50.13	45.88	1.50
402A/402AHP	88.00	55.25	51.88	1.50

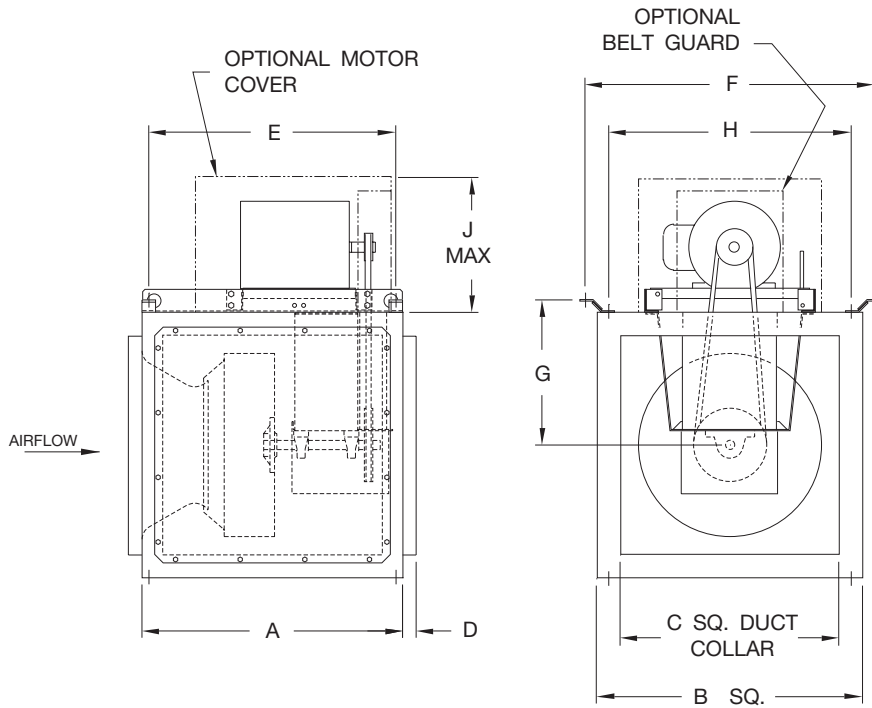
Notes:

1. All figures are in inches unless noted otherwise.
2. Filter box option is shipped separately for field installation.
3. For filter box information, see page 3.



Dimensional Data

Belt Drive



MODEL SCBD	A	B	C	D	E	F	G	H	J	DAMPER SIZE	AVG. SHIP WT. (LBS.)	SIDE DISCHARGE SIZE
080A	19.00	15.33	11.88	1.00	16.50	19.50	8.63	13.56	12.00	12.00 x 12.00	93	11.88 x 11.88
090A	19.00	15.33	11.88	1.00	16.50	19.50	8.63	13.56	12.00	12.00 x 12.00	96	11.88 x 11.88
100A	20.50	17.81	13.88	1.00	19.00	21.06	10.38	16.00	12.00	14.00 x 14.00	106	13.88 x 13.88
120A/120AHP	21.50	19.38	15.88	1.00	20.00	22.06	11.13	17.00	12.00	16.00 x 16.00	127	15.88 x 15.88
135A/135AHP	23.00	21.56	17.88	1.00	21.50	24.25	12.19	19.16	12.75	18.00 x 18.00	132	17.88 x 17.88
150A/150AHP	24.00	23.82	19.88	1.00	22.50	26.38	13.29	21.31	12.75	20.00 x 20.00	157	19.88 x 19.88
165A/165AHP	26.00	26.50	22.88	1.00	24.50	29.06	14.64	24.00	14.56	23.00 x 23.00	167	22.88 x 22.88
180A/180AHP	28.50	29.00	23.88	1.50	27.00	31.56	15.89	26.50	16.25	24.00 x 24.00	193	23.88 x 23.88
210A/210AHP	32.00	32.34	27.88	1.50	30.50	35.06	17.54	30.00	16.25	28.00 x 28.00	223	27.88 x 27.88
225A/225AHP	34.00	34.00	29.88	1.50	32.50	36.89	18.45	31.81	18.50	30.00 x 30.00	287	25.88 x 28.88
245A/245AHP	36.50	37.50	32.88	1.50	35.00	40.38	20.20	35.31	18.50	33.00 x 33.00	352	27.88 x 31.88
270A/270AHP	39.00	40.13	35.88	1.50	37.50	43.00	21.45	37.88	18.50	36.00 x 36.00	394	29.88 x 33.88
300A/300AHP	41.50	44.13	39.88	1.50	39.50	46.95	23.45	41.88	20.00	40.00 x 40.00	442	29.88 x 37.88
330A/330AHP	45.50	48.81	43.88	1.50	43.50	51.63	25.78	46.56	20.00	44.00 x 44.00	554	31.88 x 39.88
365A/365AHP	48.50	50.13	45.88	1.50	46.50	52.94	26.44	47.88	20.00	46.00 x 46.00	665	32.88 x 41.88
402A/402AHP	52.00	55.25	51.88	1.50	50.00	58.19	29.09	53.13	20.00	52.00 x 52.00	743	34.88 x 46.88

Notes:

1. All figures are in inches unless noted otherwise.
2. Average ship weight is for fan and motor assembly.
3. Dimensions are not to be used for construction.

D-4205

Typical Specifications

Supply or exhaust fans shall be of the direct drive model SCDD or the belt driven model SCBD centrifugal square inline type, as manufactured by Aerovent, Minneapolis, Minnesota.

PERFORMANCE — Fans shall be tested in accordance with AMCA 210 and AMCA 300 test codes for air moving devices and shall be guaranteed by the manufacturer to deliver rated published performance levels. Fans shall be licensed to bear the AMCA certified ratings seal for both sound and air. Fans shall be cULus 705 listed for electrical.

CONSTRUCTION — Unit exterior shall be constructed of heavy gauge galvanized steel. The fan housing shall be square in shape and readily attachable to building ductwork. Unit side panels shall be removable for easy access for maintenance and service. The power assembly shall be removable as a complete module through the side access panel. Fan housings shall have universal mounting brackets to accommodate horizontal or vertical installations. Fans shall bear a permanently attached nameplate displaying model and serial number of the unit for future identification.

WHEEL — Fan wheels shall be of the non-overloading centrifugal backward inclined type, constructed of aluminum and containing a matching inlet venturi for optimum unit performance. Wheels shall be statically and dynamically balanced.

SHAFT (SCBD Only) — Fan shafts shall be precision ground and polished. Shafts shall have a first critical speed of at least 125% of the fan's maximum operating speed.

BEARINGS (SCBD Only) — Bearings shall be of the one-piece, pillow block type with relubricable zerk fittings. Bearings shall be designed for air handling service with a minimum L-10 life in excess of 100,000 hours; L-50 500,000 hours at the maximum cataloged operating speed. Bearing mounting plate shall have self-aligning tabs for exact locating and alignment of bearings.

DRIVE (SCBD Only) — Drives shall be sized for a minimum of 150% of driven horsepower. Machined, cast iron motor sheaves shall be adjustable for final system balancing. The belt and pillow block ball bearings shall be protected from the airstream by an enclosure.

MOTOR — Motors shall be of the heavy-duty ball bearing type, closely matched to the fan load. A disconnect switch shall be factory installed and wired to the fan motor as standard. Motor shall be mounted on the outside of the unit, isolated from the airstream. All motors shall be UL recognized.

ACCESSORIES — When specified, accessories such as backdraft damper, belt guard, motor cover, insulated housing, vibration isolators, side discharge, remote lubrication lines, firestat, inlet and outlet guards, special coatings, and filter box option shall be provided by Aerovent to maintain one source responsibility.

FACTORY RUN TEST — All fans prior to shipment shall be completely assembled and test run as a unit at operating speed or maximum RPM allowed for the particular construction type. Each wheel shall be statically and dynamically balanced in accordance with ANSI/AMCA 204-96 "Balance Quality and Vibration Levels for Fans" to Fan Application Category BV-3, Balance Quality Grade G6.3. Balance readings shall be taken by electronic type equipment in the axial, vertical, and horizontal directions on each of the bearings. Records shall be maintained and a written copy shall be available upon request.

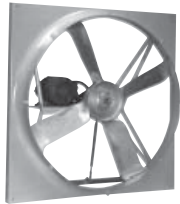
GUARANTEE — The manufacturer shall guarantee the workmanship and materials for its SCDD and SCBD Square Inline Fans for at least one (1) year from startup or eighteen (18) months from ship date.

Quality Air Handling Equipment

AXIAL FLOW



Tubeaxial



Panel Fan



Mancooler



Ring Fan



Tubeaxial Adjustable Pitch

VANEAXIAL



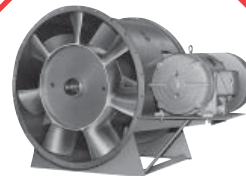
Type VT



Type W Adjustable Pitch



Type VTF Fiberglass

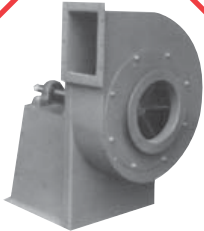


Type B Higher Pressure



Axico Anti-Stall

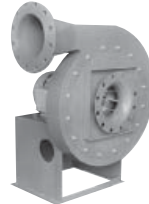
CENTRIFUGAL



Industrial Exhaust



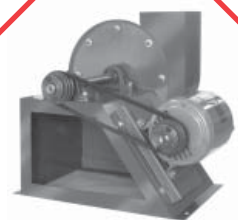
CB / CBA



Series 14 High Pressure

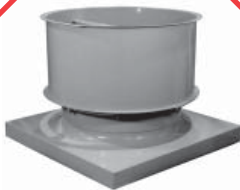


Centaxial



Pressure Blower

ROOF VENTILATOR



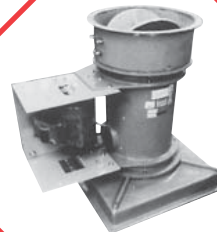
Upblast Propeller



Upblast Axial



Tu-WAY™

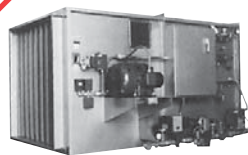


Fiberglass

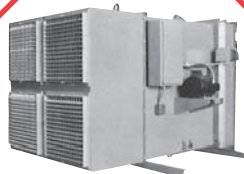


PRV Centrifugal

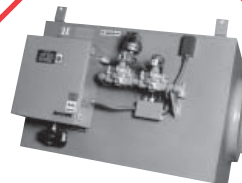
AIR HEATER



Gas-Fired Air Make-Up



Steam Air Make-Up



Door Air Heater

WARRANTY

Aerovent equipment is guaranteed to deliver its rated output, if properly installed and operated under normal conditions. Aerovent will correct by repair, replacement, or issuance of credit at our option, F.O.B. our plant, defects in material or workmanship which may develop under normal and proper use within eighteen (18) months after date of shipment from our

factory, if purchaser gives us notice within ten (10) days of discovering such defects. The correction of these defects by repair, replacement, or issuance of credit shall constitute fulfillment of all obligation to purchaser. (NOTE: We will not assume expense or liability for repairs made outside our factory without prior written consent.)



Aerovent

A Twin City Fan Company

5959 Trenton Lane · Minneapolis, MN 55442-3237

Phone (763) 551-7500 · Fax (763) 551-7501 · www.aerovent.com

3MPP03/07

