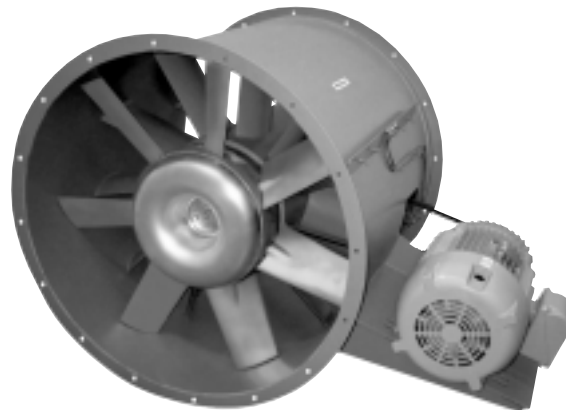


VANEAXIAL FANS

Type "W" Direct Drive/Belt Driven



Model VW
Direct Drive



Model VWBD
Belt Driven



Aerovent certifies that the Type W Vaneaxial Fans shown herein are licensed to bear the AMCA Seal. The ratings shown are based on tests and procedures performed in accordance with AMCA Publication 211 and comply with the requirements of the AMCA Certified Ratings Program.

Contents

Construction Features	3
Propeller Design	4
Fan Selection	5
Motor Selection	5
Accessories	6
Performance Data	
Direct Drive Vaneaxial Type W Fans, Model VW	9
Belt Driven Vaneaxial Type W Fans, Model VWBD	19
Dimensional Data	
Direct Drive Vaneaxial Type W Fans, Model VW	23
Belt Driven Vaneaxial Type W Fans, Model VWBD	24
Engineering Specifications	
Direct Drive Vaneaxial Type W Fans, Model VW	25
Belt Driven Vaneaxial Type W Fans, Model VWBD	26

©1999 Aerovent, Twin City Fan Companies, Ltd.
All rights reserved throughout the world.

Bulletin illustrations cover the general appearance of Aerovent products at the time of publication and we reserve the right to make changes in design and construction at any time without notice.

Construction Features

Direct Drive

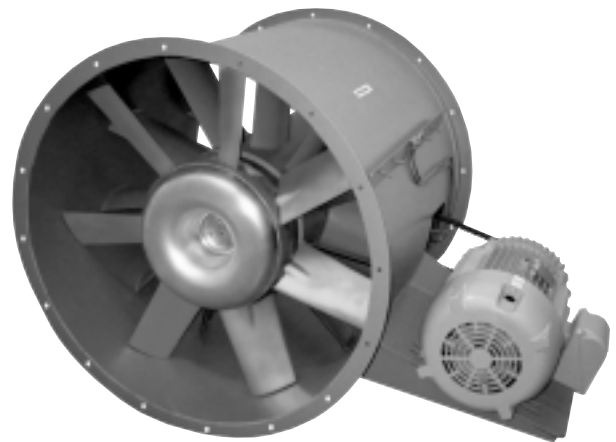
- Cast aluminum, adjustable pitch airfoil blades, with cast-in high strength steel bolts are attached to a cast aluminum hub having a tapered bushing and streamlined hub cover.
- The inner shell motor mounting and guide vanes are integrally welded to the outer housing providing a substantial all-steel weldment.
- The housing flanges are designed to support the unit in a duct by using matching companion flanges. Various other common mounting arrangements are available as optional accessories.
- Motor leads are extended through liquid-tight conduit to the outside of the housing for connection to power supply.
- Grease lines from the motor bearings are extended to the outside where required by motor design.
- Standard motors are satisfactory for operating up to 105°F. Special motors can be furnished to extend the operating temperature range to 212°F. Each of these high temperature applications must be considered separately in order to choose the most economical motor insulation for a given application. Aerovent will furnish these fans to meet your specifications.



Shown with support legs (optional)

Belt Driven

- Cast aluminum, adjustable pitch airfoil blades, with cast-in high strength steel bolts are attached to a cast aluminum hub having a tapered bushing and streamlined hub cover. The standard blade angle of 34° was chosen for development of the rating tables to produce optimum performance.
- The inner shell houses standard pillow block ball bearings which have grease lines extended to the outside of the housing. The guide vanes and belt tube form a rugged all-steel weldment.
- The housing flanges are designed to support the unit in a duct by using matching companion flanges. Various other common mounting arrangements are available as optional accessories.
- Adjustable drive sheaves are standard when motor is 5 HP or smaller. Adjustable drives for larger horsepowers are optional.
- Fan housings can be constructed of aluminum, stainless steel, or protected with a wide variety of coatings including hot dip galvanizing.
- A belt guard is standard to protect personnel from the moving drive parts.



Propeller Design

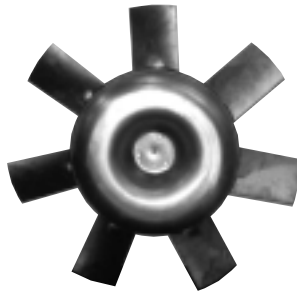
Adjustable Pitch

The Type W vaneaxial, adjustable pitch propeller is available in Design 1, sizes 18 through 43, and in Design 3, sizes 48 through 84, for direct drive fans. For belt driven fans, Design 3 is used on all sizes. The seven adjustable cast-aluminum airfoil blades are held in place by a high strength, specially designed steel bolt cast into the blade and threaded into the hub. It is locked by one setscrew. There is a scale at the base of the blade which indicates the blade position in degrees, and this is correlated with the performance tables.

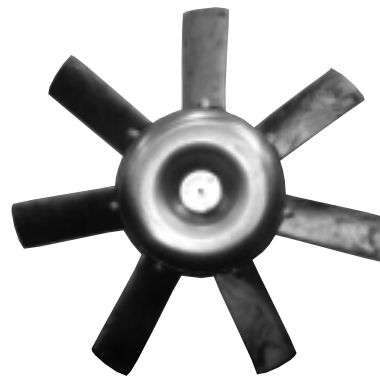
This design has many practical advantages. It is easily adjustable, requiring no special tools. The angle setting cannot be thrown off when the locking setscrews are tightened. By threading the retainer bolt into the hub,

prestressing of the holding device is completely avoided. The use of steel allows for a smaller hub socket and, therefore, a stronger hub rim.

The propeller is available with angle settings in increments of one degree from 18 to 42 degrees, making it possible to interpolate between blade angles shown in the performance tables. For the direct drive vaneaxial assembly, the catalog number indicates the blade angle at $\frac{3}{4}$ of the propeller radius. Propeller Design 1 has a 57.5% hub while propeller Design 3 has a 41.5% hub. The propeller is mounted to the shaft with a Browning split tapered bushing (spinner cap). The bushing mounting bolts also secure the hub cover which makes removal of the propeller an easy single-step procedure.



Design 1



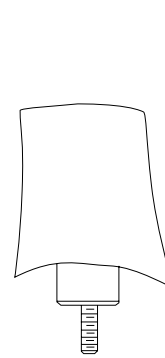
Design 3

Blade Design

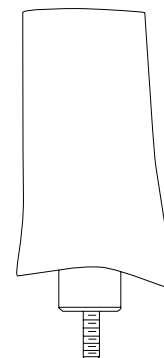
Two basic blade designs were chosen for the performances tabulated in this catalog. Blade Design 1 has the larger hub and is used in the direct drive fan models to 43" in diameter. The larger hub diameter allows for drive motors throughout a wide range of horsepower.

Blade Design 3 has a smaller hub. This is used in the 48" and larger direct drive models because of the advantage in weight reduction while still having sufficient space for the motor to be within the diameter of the hub.

Blade Design 3 is used on all belt driven models because the larger air passage area has some compensation value for the restriction created by the belt tube, resulting in a broader optimum performance range.



Design 1



Design 3

Guide Vanes

The vaneaxial propeller is especially designed to work with guide vanes, and the overall mechanical efficiency is usually higher than the other axial flow fans. The func-

tion of the guide vanes is to improve the efficiency and the pressure characteristics by converting rotational energy at the propeller discharge into useful work.

Fan Selection

Present methods of testing fans provide accurate, dependable performance data; however, information available for designing systems is necessarily based on averages. Therefore, a certain amount of “rounding off” of design figures is a reasonable approach and will produce a practical air handling system design. Most engineers prefer the static pressure or friction loss method of calculation.

The fan is usually located somewhere within the system; therefore, it is only necessary to figure the entrance loss and the duct friction loss, then select the fan directly from the tables. This method assumes that the duct size from the outlet of the fan to where the air is released to atmosphere is essentially the same as the diameter of the fan.

- If the fan is at the beginning of the duct, then an inlet bell should be used and no entrance loss is calculated.
- If the fan is at the end of the duct, then the entrance loss and duct friction are calculated and this is the fan static pressure.
- If an outlet cone is used and there is a static regain, the regain can be added to the static pressure. For information on how to calculate the static pressure regain, see outlet cones in the accessory section.

Some systems are designed using total pressure (TP). Using the following formulas, the total pressure can be calculated.

Fan Selection Formulas

$VP = \left(\frac{CFM}{AREA \times 4005} \right)^2$	NOTE: This formula is used only for density at standard air, 0.075 lbs./ft ³ , 70°F and sea level.	Where: VP = Velocity pressure, IWG SP = Static pressure, IWG TP = Total pressure, IWG OV = Fan outlet velocity, FPM AREA = Fan outlet area, Ft ²
$VP = \left(\frac{CFM}{AREA \times 1096.7} \right)^2 \times \text{Density in lbs.per ft}^3$	NOTE: This formula is used when density is other than standard.	
TP = VP + SP		
$OV = \left(\frac{CFM}{AREA} \right)$		

Motor Selection

Motors furnished on direct drive and belt driven fans standardly have a T-frame, 1.15 service factor, and are good for applications up to 105°F. Many enclosures are available such as open drip-proof, totally enclosed fan cooled and explosion proof.

For direct drive fans, motors have an increased service factor due to the high air velocity over the motor. However, it is good practice when selecting motor horsepower (MHP) that the required brake horsepower (BHP) not exceed MHP x 1.10. If the required BHP exceeds MHP x 1.10, the next higher MHP should be selected.

Example A: If the required fan BHP is 10.2, first check a 10 HP motor. Since 10 HP x 1.10 (= 11.0) is *greater* than 10.2, then a 10 HP motor could be used.

Example B: If the required fan BHP is 11.1, first check a 10 HP motor. Since 10 HP x 1.10 (= 11.0) is less than 11.1, then the next *higher* horsepower should be selected, a 15 HP.

For belt driven fans, open drip-proof motors can be safely loaded within the service factor (i.e., MHP x 1.10). However, totally enclosed motors should be selected so the required brake horsepower is within the nominal motor horsepower rating (i.e., BHP < MHP).

Accessories

Bolted Inspection Door

The bolted inspection door (not shown) allows limited access to inspect the internal parts of the fan. If access for cleaning is required use the "Propeller Access Section," "Swing-out Construction" or "Clamshell Construction" accessory.

Propeller Access Section

The propeller access section is a short duct section that bolts to the fan inlet or outlet and includes a hinged inspection door. Half the access section can be removed or the hinged inspection door can be opened to permit inspection or cleaning of the fan propeller.

Swing-out Construction

Swing-out construction is available for either direct drive or belt driven fans. It allows the entire fan assembly to swing out from the existing ductwork for easy cleaning and servicing of the internal fan parts. This arrangement is available for fan sizes 48" and smaller.

Clamshell Construction

Clamshell construction is available for belt driven fans only and provides access to the fan propeller for cleaning and to the bearings for maintenance. Available in all sizes 12" through 60".

Support Legs

Support legs are available for standard platform or floor mounting. The support legs are bolted to the inlet and outlet flange.

Horizontal Ceiling Clips

Vertical Mounting Clips

Clips are recommended to permit easy installation and when using vibration isolators. Horizontal ceiling clips are welded to the fan housing.

Vertical mounting clips can be welded to the fan housing in most cases or they are welded to the "Vertical Support Section."

Vertical Support Section

The vertical support section is a separate duct section bolted to the fan inlet or outlet and used when the vertical mounting clips cannot be welded to the fan.

Vibration Isolators

Rubber-in-shear and spring type isolators are available for floor or ceiling mounting, as follows:

RIS Floor — Rubber-in shear, for floor mounting

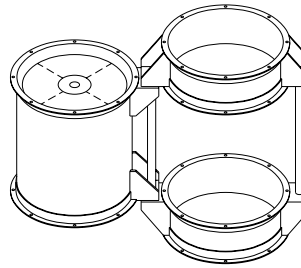
RIS Ceiling — Rubber-in-shear, for ceiling mounting

Spring Floor — Spring type, for floor mounting

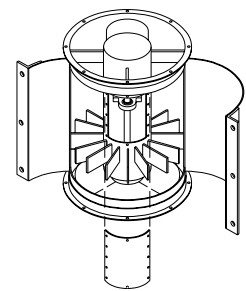
Spring Ceiling — Spring type, for ceiling mounting



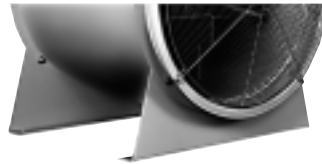
Propeller Access Section



Swingout Construction



Clamshell Construction



Support Legs



Horizontal Mounting Clips



Vertical Mounting Clips



Vertical Support Section



Spring Type Isolators

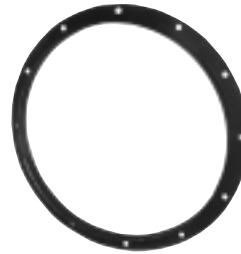


*RIS Type Isolators
Floor Mount Shown*

Accessories

Companion Flanges

Companion flanges are rolled angle rings that match the fan inlet and outlet flanges to provide easy attachment for slip duct connections.



Companion Flange



Inlet/Outlet Guard

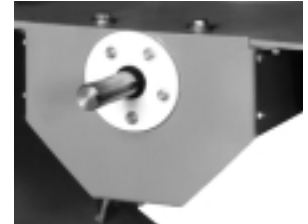
OSHA Inlet and Outlet Guards

Inlet and outlet guards are offered to protect personnel from the moving parts. Recommended for use when no ductwork is attached to the inlet and/or outlet. Fan sizes 12" through 72" are supplied with spiral wire type PMS guards and the 84" is supplied with a wire mesh Type WM.

Shaft Seal

An Elastomeric Rotary Shaft Seal is recommended when the fan is used for handling dirty, wet or corrosive air to protect the shaft and bearings and is suitable for operation up to 300°F (148°C). This seal rides against a heavy Teflon wear plate. **Note:** The shaft seal does not make the fan gas tight and is not for use in high temperature applications.

Shaft Seal



Motor Cover

Motor Cover

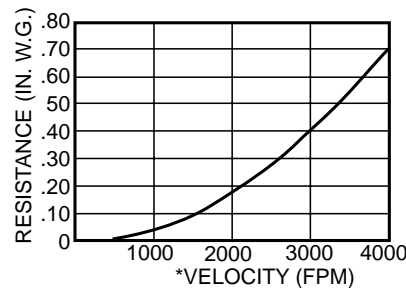
Motor covers are available for belt driven fans to protect the motor and drive parts from the weather. The motor cover is designed with vents to dissipate motor heat. *It is important* to specify the fan discharge arrangement to ensure the correct location of the vents.

Silencers

Silencers are designed to reduce fan noise with only minor resistance to airflow. Aerovent silencers and vaneaxial fans provide an aerodynamically and acoustically matched package.

Flange connections on both the inlet and outlet ends provide easy mounting to the vaneaxial fan. Silencers can be added to both the fan inlet and outlet for the most critical noise applications.

Silencer Resistance Chart



*Velocity at the silencer inlet. Velocity at the silencer outlet is 1.33 x inlet velocity.

Silencer Insertion Loss (dB's)

OCTAVE BAND FREQ. (HZ)	20 TO 75	75 TO 150	140 TO 300	300 TO 600	600 TO 1200	1200 TO 2400	2400 TO 4800	4800 TO 10000
INSERTION LOSS (EA. SILENCER)	5	5	12	18	22	18	17	15

Stack Cap

Stack caps are designed for roof mounted fans with vertical discharge. Stack caps include backdraft dampers that protect the interior of the building from precipitation when the fan is shut off. A motorized stack cap is also available as an option. (Check with factory for available sizes.)

Using a stack cap and curb base on the Type W vaneaxial fan converts this unit into a roof ventilator. As an option, stack caps and curb bases can be furnished with protective coatings or special metals for handling corrosive fumes.

The table below lists the minimum CFM requirement for fully open damper operation and the maximum CFM allowable through the stack cap.

Stack Cap



DAMPER MATERIAL		CFM PER DAMPER SIZE										
		18"	21"	24"	30"	36"	42"	48"	54"	60"	72"	84"
STEEL	MIN.	3090	4190	5450	8480	12350	16950	22025	27780	34205	49050	66565
	MAX.	5445	7385	9615	14965	21785	29885	38865	49020	60355	86555	117460
ALUMINUM	MIN.	2360	3205	4170	6485	9445	12955	16845	21245	26155	37510	50905
	MAX.	5445	7385	9615	14965	21785	29885	38865	49020	60355	86555	117460

Accessories

Curb Base (not shown)

Curb bases are designed for mounting vertical fans on roof curbs. Using a stack cap and curb base on the Type W vaneaxial fan converts this unit into a roof ventilator. As an option, stack caps and curb bases can be furnished with protective coatings or special metals for handling corrosive fumes.

Inlet Bell

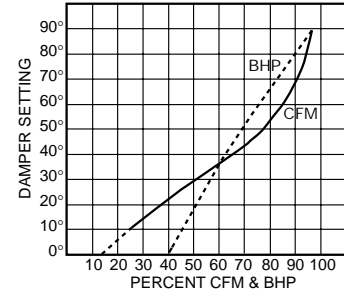
An inlet bell is recommended on the inlet side of the fan to minimize entrance losses for installations where the fan inlet is not attached to a duct system.

Inlet Vane Damper

The inlet vane damper controls air volume while reducing horsepower. This is accomplished by imparting a swirl to the air in the direction of rotation of the propeller. The graph at right indicates the angle of the damper setting related to the reduction of air volume and horsepower.



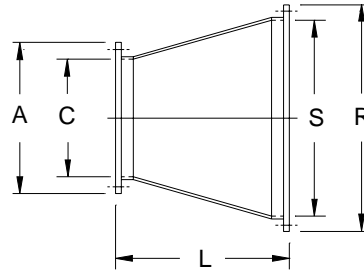
Inlet Vane Damper



Inlet and Outlet Cones

Inlet and outlet cones offer a round-to-round transition from the fan inlet and/or outlet to the specific duct diameter of the system.

If a standard outlet cone is used, the static pressure regain can be added to the fan static pressure. The approximate additional static pressure capability is shown in the following chart. Add the amount shown to the fan static pressure and then enter the performance tables to select the fan.



DIMENSIONS ARE NOT TO BE USED FOR CONSTRUCTION.

FAN OUTLET VELOCITY (FPM)	STATIC PRESSURE REGAIN (INCHES W.G.)
1000	.025
1400	.042
1800	.078
2200	.113
2600	.151
3000	.216
3400	.273
3800	.341
4200	.419
4600	.494
5000	.576

FAN SIZE	CONE DIMENSIONS					AREA (FT ²)	
	A	C	S	R	L	C-side	S-side
18	21 ⁷ / ₁₆	18 ⁷ / ₁₆	24 ¹ / ₂	27	20	1.85	3.27
22	25 ⁷ / ₁₆	22 ⁷ / ₁₆	30 ¹ / ₂	33 ¹ / ₂	25 ⁵ / ₈	2.75	5.07
24	27 ⁵ / ₁₆	24 ⁵ / ₁₆	33	36	27 ³ / ₈	3.22	5.94
25	28 ⁹ / ₁₆	25 ⁹ / ₁₆	33 ¹¹ / ₁₆	37 ¹¹ / ₁₆	26 ¹ / ₄	3.56	6.19
27	30 ⁵ / ₁₆	27 ⁵ / ₁₆	37	40	30 ¹ / ₄	4.07	7.47
29	32 ⁹ / ₁₆	29 ⁹ / ₁₆	40 ¹ / ₄	44 ¹ / ₄	33 ³ / ₄	4.77	8.16
30	34 ⁵ / ₁₆	30 ⁵ / ₁₆	41 ¹ / ₄	45 ¹ / ₄	34 ³ / ₄	5.01	9.28
33	37 ¹¹ / ₁₆	33 ¹¹ / ₁₆	45 ¹ / ₂	49 ¹ / ₂	37 ¹ / ₄	6.19	11.29
36	40 ⁷ / ₁₆	36 ⁷ / ₁₆	49	52	39	7.24	13.10
38	42 ¹¹ / ₁₆	38 ¹¹ / ₁₆	50 ¹ / ₄	54 ¹ / ₄	36 ¹ / ₂	8.16	13.77
42	46 ⁷ / ₁₆	42 ⁷ / ₁₆	55	59	39 ³ / ₈	9.82	16.50
43	47 ³ / ₄	43 ³ / ₄	59 ¹ / ₂	63 ¹ / ₂	48 ¹ / ₂	10.44	19.31
48	52 ¹⁵ / ₁₆	48 ¹⁵ / ₁₆	66	70	52 ³ / ₈	13.06	23.76
54	59	55	73	77	55	16.50	29.07
60	65	61	82	86	63 ¹ / ₂	20.29	36.67
66	72 ¹ / ₄	67 ¹ / ₄	88 ⁷ / ₁₆	94 ⁷ / ₁₆	65 ¹ / ₂	24.67	42.66
72	79 ¹ / ₄	73 ¹ / ₄	97	103	73 ³ / ₈	29.26	51.32
84	91 ³ / ₈	85 ³ / ₈	108 ³ / ₄	115 ³ / ₄	72 ³ / ₄	39.75	64.50

Spark Resistant Construction

Belt driven fans can be furnished with spark resistant construction.

AMCA Type A spark resistant construction includes an all aluminum fan housing and propeller with an AMPCO-45 fan shaft, Monel hardware and shaft seal.

AMCA Type B and C spark resistant construction includes an aluminum propeller with an aluminum shaft closure plate and shaft seal.

Note on direct drive spark resistant construction:

Reference standard 99-0401-86 "Classification for Spark Resistant Construction." Because some ordinances prohibit the use of a fan with a motor located in the airstream, even though it would be explosion proof, and because there is some debate as to whether an explosion proof motor meets the intent of Note 1, of the above standard, we cannot say that a direct drive fan conforms to Type B spark resistant construction.

Performance Data – Direct Drive

Direct Drive Vaneaxial Type W

Rating tables are arranged to present the performance data in its most useful form, listing the fan speed, motor horsepower and CFM against the static pressure. Also shown is the actual operating brake horsepower at each listed point of static pressure. Indicated within the catalog number is the angle setting of the blade. (A detailed example of the catalog numbering system is shown at right.) In-between performances can be accurately interpolated from the performance tables. You may also refer to your Aerovent representative or the Aerovent Fan Selector® Program. Angle settings can be specified when the fan is ordered, and the blades will be factory set prior to shipment.

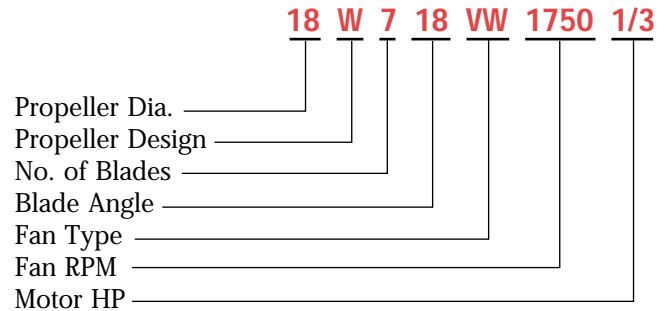
With the adjustable design, the blade angle can be changed in the field and settings correlated directly with the rating table.

At angle settings above 26 degrees, the performance curve has a reversal; therefore, performances listed in the rating tables do not extend beyond a preselected point on the curve which is 5% below the peak performance.

If it is desirable to avoid the possibility of accidental operation beyond this peak point because of unknown design conditions, performances should be chosen with angle settings between 18 and 26 degrees.

Catalog Numbering System

To identify a specific fan for ordering or engineering specifications, it is necessary to show the complete information listed in the tables below under catalog number. All performance data is available in curve form upon request.



Size 18 VW Direct Drive Type W Vaneaxial

CATALOG NO.			CUBIC FEET PER MINUTE AND HORSEPOWER AT STATIC PRESSURE											
PROP	RPM	HP	0.25" SP		0.50" SP		0.75" SP		1.0" SP		1.25" SP		1.5" SP	
			CFM	BHP	CFM	BHP	CFM	BHP	CFM	BHP	CFM	BHP	CFM	BHP
18W718	1750	1/3	2349	.228	2132	.273	1822	.308	1248	.314				
18W722	1750	1/2	2861	.297	2630	.356	2347	.414	1835	.428				
18W726	1750	1/2	3362	.389	3108	.451	2773	.504	2359	.543				
18W730	1750	3/4	3823	.498	3547	.566	3207	.627	2764	.657				
18W734	1750	3/4	4283	.626	3989	.693	3629	.740	3161	.789	2585	.790		
18W738	1750	1	4757	.799	4424	.854	4021	.902	3489	.929	2941	.942		
18W742	1750	1	5202	.991	4837	1.05	4413	1.10	3839	1.09				
18W718	3450	2	4918	1.49	4821	1.58	4722	1.67	4620	1.75	4514	1.84	4405	1.93
18W722	3450	3	5949	1.98	5844	2.08	5738	2.18	5628	2.29	5515	2.40	5398	2.51
18W726	3450	5	6939	2.60	6836	2.73	6728	2.86	6616	2.99	6498	3.12	6373	3.24
18W730	3450	5	7889	3.42	7771	3.56	7649	3.70	7522	3.83	7391	3.96	7254	4.10
18W734	3450	7 1/2	8821	4.35	8694	4.51	8563	4.67	8427	4.82	8287	4.96	8141	5.09
18W738	3450	7 1/2	9809	5.79	9664	5.90	9514	6.02	9360	6.13	9200	6.25	9033	6.35

CATALOG NO.			CUBIC FEET PER MINUTE AND HORSEPOWER AT STATIC PRESSURE											
PROP	RPM	HP	1.75" SP		2.0" SP		2.5" SP		3.0" SP		3.5" SP		4.0" SP	
			CFM	BHP	CFM	BHP	CFM	BHP	CFM	BHP	CFM	BHP	CFM	BHP
18W718	3450	2	4294	2.02	4176	2.11	3900	2.27	3517	2.38	2920	2.43		
18W722	3450	3	5279	2.63	5156	2.75	4889	3.00	4568	3.21	4150	3.34		
18W726	3450	5	6240	3.37	6093	3.48	5763	3.70	5403	3.89	4996	4.04	4542	4.20
18W730	3450	5	7110	4.23	6958	4.36	6627	4.62	6254	4.84	5812	4.97	5342	5.05
18W734	3450	7 1/2	7988	5.22	7827	5.33	7477	5.52	7085	5.70	6623	5.91	6116	6.07
18W738	3450	7 1/2	8860	6.46	8679	6.57	8288	6.77	7847	6.94	7309	7.05	6757	7.14

PERFORMANCE SHOWN IS INSTALLATION TYPE B: FREE INLET, DUCTED OUTLET
 PERFORMANCE RATINGS DO NOT INCLUDE THE EFFECTS OF APPURTENANCES IN THE AIRSTREAM.

Size 22 VW Direct Drive Type W Vaneaxial

CATALOG NO.			CUBIC FEET PER MINUTE AND HORSEPOWER AT STATIC PRESSURE											
			0.25" SP		0.50" SP		0.75" SP		1.0" SP		1.25" SP		1.5" SP	
PROP	RPM	HP	CFM	BHP	CFM	BHP	CFM	BHP	CFM	BHP	CFM	BHP	CFM	BHP
22W718	1750	1	4410	.580	4160	.663	3890	.746	3549	.817	2996	.859	2261	.855
22W722	1750	1	5354	.763	5086	.861	4798	.972	4471	1.08	4053	1.17	3322	1.17
22W726	1750	1½	6271	1.00	5995	1.12	56711	1.23	5272	1.33	4820	1.41	4293	1.48
22W730	1750	2	7130	1.30	6819	1.42	6472	1.54	6071	1.66	5593	1.75	5032	1.79
22W734	1750	2	7980	1.64	7648	1.78	7279	1.89	6854	1.98	6355	2.07	5756	2.15
22W738	1750	3	8867	2.13	8489	2.23	8071	2.33	7597	2.42	7027	2.49	6354	2.54
22W742	1750	3	9703	2.65	9281	2.76	8825	2.87	8326	2.97	7723	3.01	6991	2.98
22W718	3450	7½	9035	3.97	8920	4.14	8802	4.30	8681	4.46	8558	4.63	8432	4.79
22W722	3450	10	10923	5.33	10797	5.50	10669	5.68	10539	5.87	10407	6.06	10272	6.25
22W726	3450	10	12729	6.97	12606	7.21	12479	7.45	12349	7.69	12214	7.93	12076	8.17
22W730	3450	15	14474	9.21	14332	9.46	14187	9.71	14038	9.96	13886	10.21	13730	10.45
22W734	3450	15	16181	11.73	16028	12.02	15872	12.31	15713	12.59	15550	12.87	15384	13.14

CATALOG NO.			CUBIC FEET PER MINUTE AND HORSEPOWER AT STATIC PRESSURE											
			1.75" SP		2.0" SP		2.5" SP		3.0" SP		3.5" SP		4.0" SP	
PROP	RPM	HP	CFM	BHP	CFM	BHP	CFM	BHP	CFM	BHP	CFM	BHP	CFM	BHP
22W734	1750	2	5120	2.18										
22W738	1750	3	5707	2.57										
22W742	1750	3	6276	2.97										
22W718	3450	7½	8304	4.95	8172	5.11	7903	5.44	7618	5.77	7295	6.07	6899	6.31
22W722	3450	10	10134	6.44	9994	6.64	9706	7.06	9406	7.52	9087	7.98	8730	8.40
22W726	3450	10	11933	8.40	11785	8.63	11470	9.08	11116	9.51	10720	9.92	10295	10.29
22W730	3450	15	13570	10.70	13406	10.94	13062	11.43	12694	11.91	12297	12.40	11868	12.84
22W734	3450	15	15213	13.40	15037	13.66	14672	14.14	14281	14.55	13860	14.90	13407	15.22

Size 24 VW Direct Drive Type W Vaneaxial

CATALOG NO.			CUBIC FEET PER MINUTE AND HORSEPOWER AT STATIC PRESSURE											
			0.25" SP		0.50" SP		0.75" SP		1.0" SP		1.25" SP		1.5" SP	
PROP	RPM	HP	CFM	BHP	CFM	BHP	CFM	BHP	CFM	BHP	CFM	BHP	CFM	BHP
24W726	1160	¾	4995	.501	4494	.591	3895	.659						
24W730	1160	¾	5672	.637	5129	.712	4489	.788						
24W734	1160	1	6400	.819	5845	.902	5154	.953						
24W738	1160	1	7061	1.03	6475	1.11	5728	1.17	4688	1.17				
24W742	1160	1½	7743	1.25	7073	1.31	6229	1.34	5158	1.33				
24W718	1750	1½	5708	.922	5433	1.02	5150	1.13	4847	1.24	4478	1.33	3990	1.39
24W722	1750	2	6841	1.20	6561	1.31	6269	1.42	5967	1.54	5621	1.65	5185	1.76
24W726	1750	2	7930	1.55	7623	1.68	7303	1.81	6971	1.95	6616	2.08	6235	2.19
24W730	1750	3	8980	2.01	8650	2.15	8305	2.28	7946	2.39	7563	2.49	7148	2.61
24W734	1750	3	10075	2.61	9748	2.77	9403	2.92	9034	3.04	8637	3.14	8194	3.22
24W738	1750	5	11093	3.33	10750	3.48	10386	3.62	9997	3.75	9576	3.85	9103	3.94
24W742	1750	5	12199	4.17	11797	4.26	11373	4.34	10928	4.43	10454	4.52	9921	4.58
24W718	3450	10	11640	6.51	11507	6.70	11373	6.90	11237	7.09	11100	7.29	10962	7.48
24W722	3450	10	13883	8.59	13747	8.80	13610	9.01	13471	9.22	13331	9.43	13190	9.65
24W726	3450	15	16069	11.17	15920	11.43	15769	11.68	15617	11.93	15463	12.19	15308	12.44
24W730	3450	20	18168	14.59	18008	14.88	17847	15.16	17684	15.45	17519	15.72	17352	16.00
24W734	3450	25	20317	19.03	20161	19.38	20003	19.71	19843	20.04	19680	20.37	19516	20.68

CATALOG NO.			CUBIC FEET PER MINUTE AND HORSEPOWER AT STATIC PRESSURE											
			1.75" SP		2.0" SP		2.5" SP		3.0" SP		3.5" SP		4.0" SP	
PROP	RPM	HP	CFM	BHP	CFM	BHP	CFM	BHP	CFM	BHP	CFM	BHP	CFM	BHP
24W718	1750	1½	3228	1.38										
24W722	1750	2	4502	1.79										
24W726	1750	2	5788	2.27	5005	2.25								
24W730	1750	3	6686	2.73	6120	2.79								
24W734	1750	3	7681	3.28	7087	3.31								
24W738	1750	5	8536	4.01	7874	4.05								
24W742	1750	5	9279	4.58	8581	4.57								
24W718	3450	10	10821	7.68	10680	7.88	10393	8.29	10103	8.73	9803	9.16	9480	9.58
24W722	3450	10	13046	9.87	12901	10.08	12606	10.52	12307	10.98	12005	11.44	11690	11.91
24W726	3450	15	16069	11.17	15920	11.43	15769	11.68	15617	11.93	15463	12.19	15308	12.44
24W730	3450	20	17184	16.27	17014	16.53	16667	17.04	16312	17.53	15950	17.97	15579	18.39
24W734	3450	25	19349	20.99	19180	21.30	18833	21.88	18475	22.43	18105	22.93	17722	23.39

PERFORMANCE SHOWN IS INSTALLATION TYPE B: FREE INLET, DUCTED OUTLET
 PERFORMANCE RATINGS DO NOT INCLUDE THE EFFECTS OF APPURTENANCES IN THE AIRSTREAM.

Size 25 VW Direct Drive Type W Vaneaxial

CATALOG NO.			CUBIC FEET PER MINUTE AND HORSEPOWER AT STATIC PRESSURE											
			0.25" SP		0.50" SP		0.75" SP		1.0" SP		1.25" SP		1.5" SP	
PROP	RPM	HP	CFM	BHP	CFM	BHP	CFM	BHP	CFM	BHP	CFM	BHP	CFM	BHP
25W722	1160	3/4	4829	.409	4192	.510	3053	.544						
25W730	1160	1	6593	.712	5975	.818	5256	.896						
25W734	1160	1	7503	.916	6845	1.02	6028	1.10						
25W738	1160	1 1/2	8334	1.18	7652	1.26	6734	1.32	5457	1.32				
25W742	1160	1 1/2	9122	1.44	8332	1.52	7373	1.57	6188	1.56				
25W718	1750	1 1/2	6367	.973	6012	1.12	5630	1.24	5202	1.32	4701	1.37	3999	1.40
25W722	1750	2	7742	1.21	7388	1.36	7009	1.52	6593	1.67	6068	1.81	5382	1.90
25W726	1750	2	9055	1.63	8679	1.80	8294	1.97	7904	2.15	7471	2.30	6971	2.44
25W730	1750	3	10439	2.20	10055	2.39	9656	2.57	9248	2.73	8817	2.87	8349	2.99
25W734	1750	5	11827	2.92	11432	3.10	11016	3.27	10579	3.43	10113	3.58	9589	3.70
25W738	1750	5	13062	3.86	12683	4.01	12272	4.15	11819	4.28	11304	4.38	10718	4.46
25W742	1750	5	14336	4.77	13890	4.91	13410	5.05	12885	5.17	12301	5.27	11673	5.34
25W718	3450	10	13039	6.51	12873	6.85	12704	7.17	12532	7.49	12357	7.80	12178	8.09
25W722	3450	15	15751	8.46	15584	8.75	15415	9.04	15243	9.33	15068	9.62	14889	9.92
25W726	3450	15	18388	11.44	18203	11.80	18017	12.15	17830	12.50	17641	12.85	17451	13.19
25W730	3450	20	21127	15.62	20939	16.04	20749	16.46	20558	16.87	20365	17.27	20171	17.66
25W734	3450	25	23871	21.31	23681	21.68	23488	22.05	23294	22.41	23097	22.77	22897	23.12

CATALOG NO.			CUBIC FEET PER MINUTE AND HORSEPOWER AT STATIC PRESSURE											
			1.75" SP		2.0" SP		2.5" SP		3.0" SP		3.5" SP		4.0" SP	
PROP	RPM	HP	CFM	BHP	CFM	BHP	CFM	BHP	CFM	BHP	CFM	BHP	CFM	BHP
25W722	1750	2	4362	1.83										
25W726	1750	2	6196	2.49										
25W730	1750	3	7828	3.09										
25W734	1750	5	8981	3.79	8228	3.83								
25W738	1750	5	10031	4.53	9230	4.56								
25W742	1750	5	11002	5.38	10249	5.39								
25W718	3450	10	11996	8.37	11811	8.64	11429	9.13	11029	9.54	10604	9.91	10150	10.19
25W722	3450	15	14708	10.21	14522	10.51	14142	11.11	13750	11.73	13338	12.35	12891	12.95
25W726	3450	15	17260	13.54	17067	13.88	16676	14.56	16286	15.24	15893	15.92	15490	16.59
25W730	3450	20	19975	18.04	19777	18.41	19375	19.13	18967	19.82	18555	20.45	18136	21.05
25W734	3450	25	22695	23.47	22490	23.81	22073	24.49	21643	25.15	21203	25.79	20752	26.41

Size 27 VW Direct Drive Type W Vaneaxial

CATALOG NO.			CUBIC FEET PER MINUTE AND HORSEPOWER AT STATIC PRESSURE											
			0.25" SP		0.50" SP		0.75" SP		1.0" SP		1.25" SP		1.5" SP	
PROP	RPM	HP	CFM	BHP	CFM	BHP	CFM	BHP	CFM	BHP	CFM	BHP	CFM	BHP
27W722	870	.5	4396	.320	3518	.395								
27W726	870	.5	5124	.408	4299	.494								
27W730	870	1/2	5829	.509	4937	.588								
27W734	870	3/4	6606	.651	5664	.719								
27W738	870	1	7299	.808	6295	.879								
27W742	870	1	7988	.965	6853	1.02								
27W718	1160	3/4	5181	.526	4695	.627	4064	.714						
27W722	1160	1	6247	.676	5749	.783	5155	.890	4059	.935				
27W726	1160	1	7254	.870	6707	.996	6104	1.12	5359	1.20				
27W730	1160	1 1/2	8228	1.11	7638	1.23	6986	1.33	6215	1.44				
27W734	1160	2	9264	1.44	8670	1.57	7993	1.67	7147	1.72	6020	1.74		
27W738	1160	2	10212	1.81	9586	1.94	8869	2.04	7941	2.11	6773	2.11		
27W742	1160	3	11211	2.22	10485	2.31	9677	2.39	8630	2.40	7439	2.40		
27W718	1750	2	8207	1.63	7903	1.77	7587	1.91	7267	2.07	6925	2.22	6524	2.36
27W722	1750	3	9823	2.12	9512	2.28	9189	2.43	8858	2.60	8518	2.76	8142	2.93
27W726	1750	5	11381	2.75	11040	2.93	10687	3.12	10324	3.31	9949	3.51	9556	3.70
27W730	1750	5	12881	3.57	12515	3.77	12137	3.96	11744	4.14	11339	4.29	10914	4.44
27W734	1750	7 1/2	14439	4.64	14078	4.88	13702	5.09	13306	5.29	12890	5.47	12449	5.62
27W738	1750	7 1/2	15893	5.93	15515	6.16	15118	6.37	14701	6.56	14262	6.74	13795	6.89
27W742	1750	10	17486	7.48	17040	7.60	16576	7.73	16092	7.85	15591	7.98	15066	8.11

CATALOG NO.			CUBIC FEET PER MINUTE AND HORSEPOWER AT STATIC PRESSURE											
			1.75" SP		2.0" SP		2.5" SP		3.0" SP		3.5" SP		4.0" SP	
PROP	RPM	HP	CFM	BHP	CFM	BHP	CFM	BHP	CFM	BHP	CFM	BHP	CFM	BHP
27W718	1750	2	6040	2.47	5378	2.51								
27W722	1750	3	7694	3.08	7137	3.21								
27W726	1750	5	9135	3.86	8691	4.01	7320	4.08						
27W730	1750	5	10460	4.59	9977	4.77	8801	5.02						
27W734	1750	7 1/2	11973	5.74	11445	5.85	10176	5.96						
27W738	1750	7 1/2	13289	7.02	12720	7.15	11305	7.29						

PERFORMANCE SHOWN IS INSTALLATION TYPE B: FREE INLET, DUCTED OUTLET
 PERFORMANCE RATINGS DO NOT INCLUDE THE EFFECTS OF APPURTENANCES IN THE AIRSTREAM.

Size 29 VW Direct Drive Type W Vaneaxial

CATALOG NO.			CUBIC FEET PER MINUTE AND HORSEPOWER AT STATIC PRESSURE											
PROP	RPM	HP	0.25" SP		0.50" SP		0.75" SP		1.0" SP		1.25" SP		1.5" SP	
			CFM	BHP	CFM	BHP	CFM	BHP	CFM	BHP	CFM	BHP	CFM	BHP
29W722	870	1/2	5437	.392	4168	.491								
29W726	870	3/4	6434	.510	5403	.629								
29W730	870	3/4	7492	.664	6474	.772								
29W734	870	1	8547	.844	7435	.956								
29W738	870	1	9521	1.07	8311	1.15	6471	1.17						
29W742	870	1 1/2	10403	1.30	9051	1.38	7307	1.38						
29W726	1160	1 1/2	9102	1.07	8429	1.25	7694	1.42	6671	1.53				
29W730	1160	2	10527	1.43	9831	1.61	9088	1.76	8239	1.88				
29W734	1160	2	11957	1.86	11227	2.04	10425	2.19	9450	2.31	8077	2.33		
29W738	1160	3	13247	2.43	12525	2.57	11653	2.68	10558	2.76	9174	2.79		
29W742	1160	3	14517	2.98	13674	3.12	12680	3.23	11552	3.29	10235	3.29		
29W718	1750	3	10073	1.96	9674	2.20	9252	2.42	8805	2.59	8318	2.74	7782	2.83
29W722	1750	5	12220	2.47	11820	2.70	11399	2.94	10957	3.18	10485	3.42	9946	3.65
29W726	1750	5	14282	3.32	13851	3.59	13410	3.87	12963	4.14	12514	4.41	12041	4.66
29W730	1750	7 1/2	16446	4.50	16005	4.82	15554	5.11	15090	5.39	14619	5.64	14134	5.87
29W734	1750	7 1/2	18614	6.03	18165	6.32	17698	6.59	17213	6.85	16710	7.11	16187	7.35
29W738	1750	10	20533	8.02	20106	8.26	19654	8.50	19174	8.71	18659	8.92	18093	9.09

CATALOG NO.			CUBIC FEET PER MINUTE AND HORSEPOWER AT STATIC PRESSURE											
PROP	RPM	HP	1.75" SP		2.0" SP		2.5" SP		3.0" SP		3.5" SP		4.0" SP	
			CFM	BHP	CFM	BHP	CFM	BHP	CFM	BHP	CFM	BHP	CFM	BHP
29W718	1750	3	7150	2.90	6314	2.94								
29W722	1750	5	9274	3.85	8468	3.98	5647	3.73						
29W726	1750	5	11513	4.90	10928	5.11								
29W730	1750	7 1/2	13619	6.08	13072	6.27	11737	6.54						
29W734	1750	7 1/2	15629	7.57	15016	7.76	13545	8.01						
29W738	1750	10	17468	9.23	16783	9.36	15132	9.55	13194	9.58				
29W742	1750	10	19007	11.10	18275	11.21	16686	11.31	14846	11.28				

Size 30 VW Direct Drive Type W Vaneaxial

CATALOG NO.			CUBIC FEET PER MINUTE AND HORSEPOWER AT STATIC PRESSURE											
PROP	RPM	HP	0.25" SP		0.50" SP		0.75" SP		1.0" SP		1.25" SP		1.5" SP	
			CFM	BHP	CFM	BHP	CFM	BHP	CFM	BHP	CFM	BHP	CFM	BHP
30W722	870	3/4	6204	.516	5390	.627								
30W726	870	1	7220	.660	6359	.789	5122	.854						
30W730	870	1	8203	.835	7274	.941	6079	1.04						
30W734	870	1 1/2	9270	1.07	8313	1.18	7018	1.24						
30W738	870	1 1/2	10233	0.34	9220	1.45	7797	1.52						
30W742	870	2	11214	1.61	10064	1.70	8483	1.71						
30W718	1160	1 1/2	7229	.860	6700	.995	6111	1.13	5296	1.23				
30W722	1160	1 1/2	8693	1.11	8148	1.26	7569	1.41	6823	1.55	5438	1.58		
30W726	1160	2	10087	1.43	9492	1.60	8860	1.78	8160	1.93	7281	2.03		
30W730	1160	3	11433	1.85	10792	2.01	10108	2.16	9349	2.30	8463	2.44		
30W734	1160	3	12852	2.39	12213	2.58	11511	2.74	10714	2.85	9737	2.92	8550	2.95
30W738	1160	5	14162	3.02	13489	3.21	12746	3.37	11898	3.49	10817	3.58	9549	3.59
30W742	1160	5	15559	3.74	14772	3.85	13927	3.97	12973	4.07	11756	4.07	10460	4.06
30W718	1750	5	11336	2.71	11000	2.90	10656	3.10	10302	3.30	9945	3.51	9567	3.73
30W722	1750	5	13554	3.54	13211	3.76	12859	3.97	12496	4.19	12128	4.41	11751	4.64
30W726	1750	7 1/2	15699	4.60	15323	4.85	14938	5.10	14542	5.36	14136	5.62	13721	5.89
30W730	1750	10	17763	5.98	17361	6.26	16947	6.53	16521	6.78	16083	7.02	15634	7.24
30W734	1750	10	19898	7.78	19502	8.11	19092	8.42	18667	8.71	18224	8.98	17763	9.22
30W738	1750	15	21897	9.97	21482	10.29	21052	10.58	20604	10.87	20137	11.13	19650	11.38
30W742	1750	15	24101	12.62	23610	12.79	23104	12.97	22582	13.14	22041	13.30	21485	13.48

CATALOG NO.			CUBIC FEET PER MINUTE AND HORSEPOWER AT STATIC PRESSURE											
PROP	RPM	HP	1.75" SP		2.0" SP		2.5" SP		3.0" SP		3.5" SP		4.0" SP	
			CFM	BHP	CFM	BHP	CFM	BHP	CFM	BHP	CFM	BHP	CFM	BHP
30W718	1750	5	9141	3.92	8648	4.09	7267	4.26						
30W722	1750	5	11347	4.87	10888	5.09	9700	5.45						
30W726	1750	7 1/2	13290	6.16	12834	6.40	11857	6.81	10449	6.96				
30W730	1750	10	15167	7.44	14678	7.64	13616	8.11	12328	8.47				
30W734	1750	10	17281	9.43	16771	9.62	15623	9.92	14224	10.07	12523	10.12		
30W738	1750	15	19139	11.59	18598	11.78	17364	2.12	15802	12.34	14069	12.29		
30W742	1750	15	20909	13.66	20302	13.83	18902	14.00	17185	13.95	15446	13.94		

PERFORMANCE SHOWN IS INSTALLATION TYPE B: FREE INLET, DUCTED OUTLET
 PERFORMANCE RATINGS DO NOT INCLUDE THE EFFECTS OF APPURTENANCES IN THE AIRSTREAM.

Size 33 VW Direct Drive Type W Vaneaxial

CATALOG NO.			CUBIC FEET PER MINUTE AND HORSEPOWER AT STATIC PRESSURE											
PROP	RPM	HP	0.25" SP		0.50" SP		0.75" SP		1.0" SP		1.25" SP		1.5" SP	
			CFM	BHP	CFM	BHP	CFM	BHP	CFM	BHP	CFM	BHP	CFM	BHP
33W734	870	2	12921	1.55	11758	1.74	10294	1.87						
33W738	870	2	14355	2.00	13144	2.14	11499	2.23						
33W742	870	3	15710	2.44	14311	2.58	12607	2.65	10442	2.63				
33W726	1160	3	13631	1.96	12873	2.23	12100	2.49	11228	2.73	10121	2.90		
33W730	1160	5	15738	2.63	14960	2.92	14151	3.17	13285	3.38	12330	3.56	10700	3.62
33W734	1160	5	17850	3.47	17045	3.74	16184	3.99	15248	4.21	14147	4.38	12746	4.46
33W738	1160	5	19741	4.56	18959	4.79	18079	4.98	17041	5.13	15810	5.25	14273	5.32
33W742	1160	7½	21652	5.62	20734	5.83	19713	6.02	18543	6.17	17264	6.26	15824	6.29
33W722	1750	7½	18137	4.61	17690	4.95	17225	5.29	16740	5.64	16238	6.00	15713	6.36
33W726	1750	10	21187	6.21	20700	6.62	20205	7.02	19701	7.42	19192	7.82	18684	8.22
33W730	1750	10	24378	8.44	23881	8.92	23375	9.37	22858	9.81	22331	10.22	21797	10.60
33W734	1750	15	27576	11.39	27070	11.81	26551	12.22	26016	12.62	25464	13.01	24896	13.38
33W738	1750	20	30394	15.19	29916	15.56	29419	15.91	28900	16.25	28354	16.57	27779	16.88
33W742	1750	20	33391	18.84	32825	19.19	32239	19.53	31629	19.85	30992	20.16	30325	20.45

CATALOG NO.			CUBIC FEET PER MINUTE AND HORSEPOWER AT STATIC PRESSURE											
PROP	RPM	HP	1.75" SP		2.0" SP		2.5" SP		3.0" SP		3.5" SP		4.0" SP	
			CFM	BHP	CFM	BHP	CFM	BHP	CFM	BHP	CFM	BHP	CFM	BHP
33W738	1160	5	12462	5.29										
33W742	1160	7½	14172	6.25										
33W722	1750	7½	5145	6.72	14495	7.04	12828	7.55	10413	7.43				
33W726	1750	10	18163	8.61	17611	8.98	16355	9.64	14552	10.00				
33W730	1750	10	21254	10.95	20694	11.28	19485	11.87	18158	12.34				
33W734	1750	15	27576	11.39	27070	11.81	26551	12.22	26016	12.62	25464	13.01	24896	13.38
33W738	1750	20	27165	17.15	26502	17.39	25018	17.79	23265	18.12	21166	18.27	18648	18.12
33W742	1750	20	29614	20.72	28857	20.96	27231	21.33	25486	21.55	23510	21.58	21284	21.45

Size 36 VW Direct Drive Type W Vaneaxial

CATALOG NO.			CUBIC FEET PER MINUTE AND HORSEPOWER AT STATIC PRESSURE											
PROP	RPM	HP	0.25" SP		0.50" SP		0.75" SP		1.0" SP		1.25" SP		1.5" SP	
			CFM	BHP	CFM	BHP	CFM	BHP	CFM	BHP	CFM	BHP	CFM	BHP
36W726	870	2	12897	1.55	11925	1.77	10852	1.99	9527	2.13				
36W730	870	3	14626	1.98	13578	2.19	12421	2.36	11049	2.56				
36W734	870	3	16469	2.56	15412	2.79	14209	2.96	12706	3.07	10702	3.09		
36W738	870	5	18156	3.22	17042	3.45	15767	3.63	14117	3.76	12041	3.75		
36W742	870	5	19932	3.95	18640	4.10	17204	4.25	15342	4.27	13225	4.26		
36W718	1160	3	12763	2.04	12141	2.27	11499	2.51	10810	2.75	9965	2.95	8830	3.08
36W722	1160	5	15298	2.66	14663	2.90	14001	3.15	13316	3.42	12526	3.67	11521	3.90
36W726	1160	5	17734	3.44	17038	3.73	16313	4.02	15560	4.33	14753	4.62	13886	4.87
36W730	1160	7½	20080	4.45	19334	4.76	18553	5.05	17738	5.29	16868	5.52	15924	5.78
36W734	1160	7½	22530	5.78	21791	6.14	21007	6.46	20171	6.73	19268	6.96	18258	7.14
36W738	1160	10	24808	7.36	24032	7.70	23207	8.02	22323	8.30	21365	8.53	20286	8.72
36W742	1160	10	27281	9.22	26369	9.42	25408	9.61	24400	9.81	23324	10.01	22104	10.14
36W718	1750	10	19762	6.59	19364	6.92	18960	7.26	18547	7.60	18125	7.94	17701	8.30
36W722	1750	15	23598	8.66	23192	9.02	22779	9.39	22357	9.76	21927	10.13	21487	10.51
36W726	1750	15	27324	11.26	26878	11.69	26424	12.12	25962	12.56	25492	13.00	25013	13.44
36W730	1750	20	30905	14.67	30427	15.16	29940	15.63	29445	16.10	28940	16.55	28424	16.98
36W734	1750	25	34588	19.11	34120	19.69	33641	20.24	33151	20.78	32647	21.30	32131	21.79
36W738	1750	30	38053	24.57	37563	25.12	37060	25.66	36545	26.17	36017	26.67	35473	27.15
36W742	1750	40	41901	31.27	41320	31.57	40727	31.87	40121	32.17	39502	32.46	38868	32.76

CATALOG NO.			CUBIC FEET PER MINUTE AND HORSEPOWER AT STATIC PRESSURE											
PROP	RPM	HP	1.75" SP		2.0" SP		2.5" SP		3.0" SP		3.5" SP		4.0" SP	
			CFM	BHP	CFM	BHP	CFM	BHP	CFM	BHP	CFM	BHP	CFM	BHP
36W718	1160	3	7022	3.03										
36W722	1160	5	9889	3.96										
36W726	1160	5	12848	5.04										
36W730	1160	7½	14865	6.04	13559	6.17								
36W734	1160	7½	17083	7.26	15729	7.33								
36W738	1160	10	18983	8.89	17480	8.95								
36W742	1160	10	20632	10.13	19061	10.11								
36W718	1750	10	17272	8.67	16830	9.04	15840	9.73	14628	10.30	12980	10.59	10472	10.39
36W722	1750	15	21046	11.90	20599	11.30	19650	12.09	18523	12.83	17105	13.47	14812	13.58
36W726	1750	15	24526	13.90	24032	14.36	23008	15.29	21906	16.12	20740	16.82	19325	17.32
36W730	1750	20	27898	17.39	27363	17.77	26255	18.48	25070	19.18	23797	20.00	22373	20.78
36W734	1750	25	31599	22.25	31052	22.69	29908	23.44	28672	24.07	27293	24.59	25714	24.93
36W738	1750	30	34912	27.61	34335	28.05	33124	28.81	31810	29.47	30332	30.05	28572	30.53
36W742	1750	40	38219	33.05	37556	33.35	36188	33.97	34715	34.53	33036	34.83	31054	34.77

PERFORMANCE SHOWN IS INSTALLATION TYPE B: FREE INLET, DUCTED OUTLET
 PERFORMANCE RATINGS DO NOT INCLUDE THE EFFECTS OF APPURTENANCES IN THE AIRSTREAM.

Size 38 VW Direct Drive Type W Vaneaxial

CATALOG NO.			CUBIC FEET PER MINUTE AND HORSEPOWER AT STATIC PRESSURE											
			0.25" SP		0.50" SP		0.75" SP		1.0" SP		1.25" SP		1.5" SP	
PROP	RPM	HP	CFM	BHP	CFM	BHP	CFM	BHP	CFM	BHP	CFM	BHP	CFM	BHP
38W734	690	2	15380	1.61	13603	1.82	10957	1.90						
38W738	690	3	17120	2.05	15203	2.20	12394	2.27						
38W742	690	3	18716	2.50	16544	2.64	13811	2.68						
38W722	870	2	13057	1.32	11885	1.59	10315	1.83	7601	1.83				
38W726	870	3	15317	1.75	14142	2.05	12835	2.33	10807	2.48				
38W730	870	3	17723	2.34	16503	2.65	15190	2.89	13662	3.08				
38W734	870	5	20134	3.04	18854	3.34	17436	3.60	15674	3.78	12896	3.75		
38W738	870	5	22312	3.96	21040	4.21	19487	4.39	17507	4.51	15032	4.55		
38W742	870	5	24448	4.86	22965	5.09	21204	5.27	19202	5.36	16849	5.36		
38W718	1160	3	14833	2.29	14021	2.64	13146	2.91	12172	3.12	11041	3.23	9482	3.304
38W722	1160	5	18034	2.86	17224	3.21	16356	3.57	15410	3.93	14230	4.26	12689	4.48
38W726	1160	5	21091	3.84	20230	4.24	19348	4.65	18455	5.05	17473	5.42	16342	5.73
38W730	1160	7½	24314	5.18	23433	5.64	22521	6.06	21586	6.43	20603	6.76	19533	7.04
38W734	1160	10	27545	6.89	26640	7.31	25688	7.70	24689	8.08	23626	8.43	22439	8.72
38W738	1160	10	30418	9.11	29551	9.47	28613	9.80	27580	10.09	26408	10.33	25079	10.52
38W742	1160	15	33387	11.26	32365	11.60	31269	11.92	30072	12.20	28741	12.43	27307	12.61
38W718	1750	10	23026	7.14	22519	7.72	21997	8.27	21458	8.79	20901	9.26	20326	9.69
38W722	1750	15	27857	9.16	27349	9.68	26827	10.21	26289	10.73	25733	11.26	25160	11.80
38W726	1750	20	32531	12.37	31973	13.00	31409	13.62	30838	14.24	30259	14.85	29673	15.45
38W730	1750	25	37406	16.85	36838	17.59	36262	18.30	35677	18.99	35084	19.66	34481	20.30
38W734	1750	30	42292	22.84	41716	23.49	41127	24.13	40527	24.75	39913	25.37	39285	25.97

CATALOG NO.			CUBIC FEET PER MINUTE AND HORSEPOWER AT STATIC PRESSURE											
			1.75" SP		2.0" SP		2.5" SP		3.0" SP		3.5" SP		4.0" SP	
PROP	RPM	HP	CFM	BHP	CFM	BHP	CFM	BHP	CFM	BHP	CFM	BHP	CFM	BHP
38W718	1160	3	7063	3.24										
38W722	1160	5	10511	4.38	7485	4.20								
38W726	1160	5	14708	5.90										
38W730	1160	7½	18367	7.28	16118	7.30								
38W734	1160	10	21067	8.94	19380	9.04								
38W738	1160	10	23532	10.69	21710	10.77								
38W742	1160	15	25782	12.71	24080	12.73								
38W718	1750	10	19728	10.06	19100	10.39	17731	10.88	16104	11.19	13856	11.37	10570	11.13
38W722	1750	15	24574	12.35	23964	12.90	22609	13.96	20884	14.87	18736	15.44	15714	14.98
38W726	1750	20	29088	16.06	28502	16.67	27285	17.85	25917	18.91	24363	19.83	22073	20.24
38W730	1750	25	33869	20.91	33254	21.48	31994	22.53	30652	23.48	29219	24.32	27648	25.02
38W734	1750	30	38642	26.55	37985	27.12	36629	28.23	35178	29.24	33558	30.09	31714	30.72

Size 42 VW Direct Drive Type W Vaneaxial

CATALOG NO.			CUBIC FEET PER MINUTE AND HORSEPOWER AT STATIC PRESSURE											
			0.25" SP		0.50" SP		0.75" SP		1.0" SP		1.25" SP		1.5" SP	
PROP	RPM	HP	CFM	BHP	CFM	BHP	CFM	BHP	CFM	BHP	CFM	BHP	CFM	BHP
42W726	690	3	16042	1.71	14585	1.99	12916	2.24						
42W730	690	3	18206	2.18	16632	2.42	14826	2.66	12316	2.80				
42W734	690	3	20528	2.80	18927	3.08	17007	3.26	14451	3.34				
42W738	690	5	22642	3.52	20952	3.79	18901	3.99	16081	4.07				
42W742	690	5	24840	4.29	22898	4.48	20582	4.61	17570	4.60				
42W722	870	3	17992	2.49	16983	2.79	15928	3.10	14676	3.40	12876	3.62		
42W726	870	5	20870	3.22	19767	3.56	18607	3.93	17343	4.27	15935	4.53	13615	4.56
42W730	870	5	23646	4.15	22461	4.50	21206	4.81	19845	5.08	18324	5.41	16427	5.62
42W734	870	7½	26568	5.37	25388	5.78	24107	6.12	22691	6.38	21030	6.58	19000	6.67
42W738	870	7½	29268	6.81	28028	7.20	26675	7.55	25172	7.82	23375	8.04	21109	8.16
42W742	870	10	32165	8.46	30713	8.69	29161	8.93	27472	9.16	25431	9.25	22993	9.22
42W718	1160	7½	20521	4.29	19809	4.64	19072	5.00	18322	5.38	17540	5.78	16654	6.13
42W722	1160	7½	24553	5.61	23825	5.99	23073	6.38	22298	6.78	21510	7.20	20665	7.62
42W726	1160	10	28446	7.27	27648	7.73	26825	8.19	25976	8.66	25106	9.15	24200	9.64
42W730	1160	15	32193	9.44	31337	9.94	30453	10.42	29539	10.87	28597	11.27	27617	11.64
42W734	1160	15	36077	12.28	35234	12.86	34356	13.41	33437	13.92	32474	14.37	31461	14.76
42W738	1160	20	39709	15.70	38824	16.26	37901	16.80	36934	17.29	35916	17.75	34843	18.15
42W742	1160	20	43695	19.81	42651	20.13	41569	20.44	40444	20.75	39278	21.06	38067	21.39
42W718	1750	20	31547	14.06	31087	14.58	30621	15.11	30148	15.64	29668	16.18	29181	16.72
42W722	1750	25	37641	18.51	37172	19.09	36695	19.66	36212	20.25	35722	20.83	35225	21.42
42W726	1750	30	43575	24.08	43058	24.77	42535	25.46	42005	26.15	41468	26.84	40924	27.54

CATALOG NO.			CUBIC FEET PER MINUTE AND HORSEPOWER AT STATIC PRESSURE											
			1.75" SP		2.0" SP		2.5" SP		3.0" SP		3.5" SP		4.0" SP	
PROP	RPM	HP	CFM	BHP	CFM	BHP	CFM	BHP	CFM	BHP	CFM	BHP	CFM	BHP
42W738	870	7½	18398	8.03										
42W742	870	10	20327	9.22										
42W718	1160	7½	15605	6.44	14292	6.64								
42W722	1160	7½	19687	8.01	18517	8.37	14122	8.30						
42W726	1160	10	23234	10.08	22225	10.46	19646	10.93						
42W730	1160	15	26579	12.01	25477	12.42	22925	13.20						
42W734	1160	15	30379	15.10	29201	15.39	26407	15.74	22926	15.86				
42W738	1160	20	33696	18.49	32438	18.81	29334	19.29	25713	19.27				
42W742	1160	20	36779	21.69	35358	21.89	31883	21.86	28216	21.84				
42W718	1750	20	28687	17.27	28192	17.84	27188	19.02	26119	20.18	24902	21.22	23489	22.13
42W722	1750	25	34720	22.02	34207	22.61	33175	23.85	32115	25.12	30970	26.37	29653	27.53
42W726	1750	30	40372	28.24	39813	28.94	38675	30.38	37509	31.87	36294	33.33	35005	34.64

PERFORMANCE SHOWN IS INSTALLATION TYPE B: FREE INLET, DUCTED OUTLET
 PERFORMANCE RATINGS DO NOT INCLUDE THE EFFECTS OF APPURTENANCES IN THE AIRSTREAM.

Size 43 VW Direct Drive Type W Vaneaxial

CATALOG NO.			CUBIC FEET PER MINUTE AND HORSEPOWER AT STATIC PRESSURE											
			0.25" SP		0.50" SP		0.75" SP		1.0" SP		1.25" SP		1.5" SP	
PROP	RPM	HP	CFM	BHP	CFM	BHP	CFM	BHP	CFM	BHP	CFM	BHP	CFM	BHP
43W730	690	3	20035	2.24	18261	2.57	16235	2.81						
43W734	690	3	22794	2.89	20908	3.21	18628	3.46	15042	3.49				
43W738	690	5	25307	3.73	23368	3.98	20818	4.15	17381	4.21				
43W742	690	5	27705	4.56	25456	4.80	22731	4.95	19461	4.96				
43W726	870	5	22560	3.13	21240	3.57	19890	4.00	18331	4.38	16134	4.62		
43W730	870	5	26054	4.20	24698	4.67	23287	5.08	21751	5.42	20042	5.69		
43W734	870	7 1/2	29557	5.52	28151	5.96	26645	6.37	24984	6.73	22988	6.99	20364	7.07
43W738	870	10	32698	7.24	31329	7.61	29772	7.93	27919	8.17	25680	8.36	22938	8.44
43W742	870	10	35859	8.92	34254	9.27	32450	9.58	30381	9.81	28117	9.94	25519	9.96
43W722	1160	7 1/2	26377	5.17	25481	5.67	24534	6.18	23539	6.70	22468	7.23	21212	7.72
43W726	1160	10	30829	6.95	29864	7.54	28877	8.13	27877	8.71	26867	9.29	25791	9.85
43W730	1160	15	35503	9.42	34517	10.10	33505	10.74	32466	11.33	31408	11.87	30313	12.35
43W734	1160	15	40190	12.61	39182	13.23	38135	13.82	37044	14.38	35913	14.93	34730	15.44
43W738	1160	20	44338	16.76	43379	17.29	42364	17.79	41281	18.25	40112	18.68	38821	19.04
43W742	1160	25	48689	20.74	47557	21.25	46364	21.73	45102	22.18	43747	22.58	42270	22.94
43W718	1750	20	33521	13.00	32952	13.86	32371	14.68	31776	15.47	31166	16.22	30541	16.92
43W722	1750	25	40521	16.79	39952	17.54	39371	18.30	38776	19.06	38166	19.82	37542	20.58
43W726	1750	30	47311	22.70	46683	23.61	46049	24.51	45409	25.41	44763	26.30	44109	27.19
43W730	1750	40	54378	30.96	53739	32.04	53092	33.09	52438	34.12	51776	35.12	51107	36.09
43W734	1750	50	61460	42.10	60812	43.05	60154	43.99	59485	44.91	58805	45.82	58113	46.71
43W738	1750	60	67667	56.50	67059	57.33	66437	58.13	65801	58.92	65149	59.70	64480	60.46

CATALOG NO.			CUBIC FEET PER MINUTE AND HORSEPOWER AT STATIC PRESSURE											
			1.75" SP		2.0" SP		2.5" SP		3.0" SP		3.5" SP		4.0" SP	
PROP	RPM	HP	CFM	BHP	CFM	BHP	CFM	BHP	CFM	BHP	CFM	BHP	CFM	BHP
43W722	1160	7 1/2	19635	8.12	17735	8.36	11372	7.79						
43W726	1160	10	24582	10.34	23215	10.76								
43W730	1160	15	29138	12.79	27910	13.19	24433	13.66						
43W734	1160	15	33460	15.91	32049	16.30	28587	16.76						
43W738	1160	20	37393	19.34	35824	19.61	31979	19.96						
43W742	1160	25	40688	23.23	39035	23.45	35388	23.62	31029	23.44				
43W718	1750	20	29899	17.56	29240	18.15	27853	19.17	26341	19.97	24665	20.47	22631	20.86
43W722	1750	25	36901	21.35	36248	22.14	34895	23.74	33417	25.31	31674	26.73	29544	27.93
43W726	1750	30	43450	28.07	42785	28.95	41461	30.71	40104	32.44	38645	34.07	37028	35.55
43W730	1750	40	50429	37.03	49743	37.94	48354	39.65	46940	41.22	45472	42.65	43902	43.97
43W734	1750	50	57410	47.59	56693	48.45	55221	50.12	53703	51.74	52115	53.27	50418	54.67
43W738	1750	60	63792	61.19	63085	61.91	61602	63.27	60003	64.49	58254	65.54	56344	66.44

Size 48 VW Direct Drive Type W Vaneaxial

CATALOG NO.			CUBIC FEET PER MINUTE AND HORSEPOWER AT STATIC PRESSURE											
			0.25" SP		0.50" SP		0.75" SP		1.0" SP		1.25" SP		1.5" SP	
PROP	RPM	HP	CFM	BHP	CFM	BHP	CFM	BHP	CFM	BHP	CFM	BHP	CFM	BHP
48W734	690	7 1/2	36566	6.05	32918	6.22	27695	6.18						
48W738	690	7 1/2	39590	7.34	35776	7.46	30291	7.37						
48W742	690	10	42265	8.72	38299	8.77	33262	8.90						
48W726	870	10	39160	7.31	36988	7.89	34580	8.38	31617	8.71	27742	8.75	23507	8.52
48W730	870	10	43169	9.55	40960	10.04	38382	10.43	35160	10.64	30956	10.57	27222	10.60
48W734	870	15	47457	11.94	45085	12.25	42129	12.46	38374	12.49	34030	12.40	30514	12.60
48W738	870	15	51571	14.58	48723	14.80	45691	14.95	41993	14.94	37262	14.81	33742	15.23
48W742	870	20	55017	17.46	52047	17.49	48890	17.56	45271	17.67	40359	17.75		
48W718	1160	15	39756	8.77	38326	9.47	36806	10.14	35169	10.75	33401	11.30	31497	11.78
48W722	1160	15	46546	12.09	45065	12.97	43499	13.77	41833	14.43	40042	14.95	38101	15.42
48W726	1160	20	53395	16.68	51866	17.52	50254	18.30	48548	19.02	46742	19.67	44766	20.22
48W730	1160	25	58739	22.06	57209	22.78	55575	23.45	53809	24.06	51870	24.58	49703	24.98
48W734	1160	30	64521	27.92	62908	28.39	61158	28.82	59232	29.19	57001	29.47	54401	29.61
48W738	1160	40	70339	34.28	68303	34.63	66183	34.93	63978	35.18	61709	35.38	59268	35.50
48W742	1160	40	75006	41.38	72876	41.39	70664	41.43	68366	41.49	66002	41.58	63489	41.70

CATALOG NO.			CUBIC FEET PER MINUTE AND HORSEPOWER AT STATIC PRESSURE											
			1.75" SP		2.0" SP		2.5" SP		3.0" SP		3.5" SP		4.0" SP	
PROP	RPM	HP	CFM	BHP	CFM	BHP	CFM	BHP	CFM	BHP	CFM	BHP	CFM	BHP
48W718	1160	15	29407	12.16	27025	12.48	19691	12.28						
48W722	1160	15	35966	15.89	33558	16.25	27201	16.07						
48W726	1160	20	42448	20.61	39611	20.76	33509	20.47						
48W730	1160	25	47201	25.22	44000	25.12	38347	25.14						
48W734	1160	30	51520	29.63	48136	29.42	42637	29.74						
48W738	1160	40	56371	35.45	52650	35.09	46931	35.76						
48W742	1160	40	60684	41.85	57658	42.21								

PERFORMANCE SHOWN IS INSTALLATION TYPE B: FREE INLET, DUCTED OUTLET
 PERFORMANCE RATINGS DO NOT INCLUDE THE EFFECTS OF APPURTENANCES IN THE AIRSTREAM.

Size 54 VW Direct Drive Type W Vaneaxial

CATALOG NO.			CUBIC FEET PER MINUTE AND HORSEPOWER AT STATIC PRESSURE											
			0.25" SP		0.50" SP		0.75" SP		1.0" SP		1.25" SP		1.5" SP	
PROP	RPM	HP	CFM	BHP	CFM	BHP	CFM	BHP	CFM	BHP	CFM	BHP	CFM	BHP
54W722	690	7½	37865	4.99	34737	5.57	31025	5.97	26183	6.22				
54W726	690	7½	43616	6.72	40417	7.33	36590	7.78	31217	7.86				
54W730	690	10	48139	8.70	44828	9.22	40664	9.55	34857	9.50	29027	9.49		
54W734	690	10	52944	10.81	49324	11.13	44410	11.25	38332	11.15				
54W738	690	15	57436	13.16	53299	13.38	48556	13.47	41979	13.32				
54W742	690	15	61291	15.70	56977	15.75	52132	15.85						
54W718	870	10	41847	6.88	39623	7.61	37164	8.27	34430	8.82	31347	9.25	27639	9.57
54W722	870	15	49075	9.47	46778	10.36	44275	11.06	41500	11.58	38351	12.08	34604	12.43
54W726	870	15	56369	12.95	54002	13.80	51442	14.57	48638	15.22	45265	15.68	40949	15.79
54W730	870	20	62077	17.00	59690	17.74	57036	18.38	53992	18.89	50334	19.18	45503	19.05
54W734	870	25	68218	21.37	65678	21.85	62775	22.24	59193	22.48	54938	22.52	49892	22.32
54W738	870	30	74243	26.17	71114	26.51	67809	26.78	64317	26.96	60113	26.95	54566	26.62
54W742	870	30	79186	31.46	75918	31.49	72473	31.56	68849	31.67	64731	31.82	59933	32.16
54W718	1160	20	57018	15.52	55439	16.54	53786	17.52	52045	18.45	50195	19.32	48228	20.12
54W722	1160	30	66704	21.42	65064	22.73	63354	23.93	61565	25.03	59683	25.96	57693	26.71
54W726	1160	40	76469	29.74	74776	30.95	73014	32.11	71174	33.20	69248	34.22	67237	35.15
54W730	1160	40	84075	39.48	82388	40.52	80614	41.51	78740	42.44	76745	43.30	74598	44.06
54W734	1160	50	92330	50.12	90555	50.82	88672	51.46	86657	52.05	84478	52.57	82035	52.99
54W738	1160	60	100746	61.63	98482	62.14	96148	62.61	93736	63.03	91250	63.38	88715	63.67
54W742	1160	75	107418	74.56	105049	74.57	102610	74.61	100095	74.67	97503	74.76	94861	74.89

CATALOG NO.			CUBIC FEET PER MINUTE AND HORSEPOWER AT STATIC PRESSURE											
			1.75" SP		2.0" SP		2.5" SP		3.0" SP		3.5" SP		4.0" SP	
PROP	RPM	HP	CFM	BHP	CFM	BHP	CFM	BHP	CFM	BHP	CFM	BHP	CFM	BHP
54W718	870	10	22019	9.45										
54W722	870	15	29767	12.32										
54W726	870	15	36373	15.60										
54W730	870	20	41431	19.11										
54W734	870	25	45976	22.57										
54W738	870	30	50559	27.11										
54W742	870	30												
54W718	1160	20	46145	20.84	43926	21.46	38837	22.44	31832	22.79				
54W722	1160	30	55576	27.38	53309	28.06	48142	29.24	41473	29.47				
54W726	1160	40	65099	35.99	62756	36.70	56819	37.41	50093	37.17				
54W730	1160	40	72262	44.71	69694	45.20	63122	45.29	56549	45.23	49539	45.18		
54W734	1160	50	79253	53.27	76186	53.41	69020	53.05	62509	53.28				
54W738	1160	60	86063	63.88	83171	63.99	75501	63.28	68622	63.86				
54W742	1160	75	92114	75.05	89168	75.22	82553	76.00						

Size 60 VW Direct Drive Type W Vaneaxial

CATALOG NO.			CUBIC FEET PER MINUTE AND HORSEPOWER AT STATIC PRESSURE											
			0.25" SP		0.50" SP		0.75" SP		1.0" SP		1.25" SP		1.5" SP	
PROP	RPM	HP	CFM	BHP	CFM	BHP	CFM	BHP	CFM	BHP	CFM	BHP	CFM	BHP
60W726	690	15	60603	11.15	57172	12.05	53356	12.79	48587	13.28	42432	13.31	35455	12.89
60W730	690	15	66813	14.55	63319	15.31	59224	15.91	54031	16.20	47467	16.10	41359	16.13
60W734	690	20	73454	18.18	69698	18.66	64982	18.98	58969	19.01	52248	18.91	46312	19.16
60W738	690	20	79812	22.20	75314	22.54	70517	22.76	64538	22.72	57246	22.60	51310	23.18
60W742	690	25	85145	26.58	80454	26.63	75464	26.74	69707	26.93				
60W722	870	20	67891	15.72	65394	17.00	62730	18.11	59857	18.97	56724	19.66	53252	20.35
60W726	870	25	77914	21.63	75339	22.84	72599	23.96	69680	24.96	66512	25.82	62826	26.47
60W730	870	30	85743	28.54	83160	29.58	80366	30.53	77293	31.36	73836	32.02	69842	32.45
60W734	870	40	94198	36.03	91465	36.71	88456	37.31	85033	37.80	80924	38.08	76255	38.17
60W738	870	50	102632	44.20	99210	44.70	95624	45.11	91904	45.44	87972	45.66	83403	45.69
60W742	870	50	109448	53.27	105871	53.30	102133	53.37	98254	53.48	94182	53.64	89627	53.83
60W718	1160	40	78616	25.94	76883	27.36	75087	28.74	73219	30.06	71269	31.33	69220	32.52
60W722	1160	50	91918	35.85	90116	37.67	88254	39.39	86326	41.00	84324	42.48	82239	43.77
60W726	1160	60	105327	49.96	103466	51.65	101546	53.27	99561	54.83	97502	56.31	95366	57.71
60W730	1160	75	115757	66.51	113907	67.96	111984	69.36	109978	71.95	107878	71.95	105668	73.13
60W734	1160	100	127100	84.65	125159	85.62	123127	86.54	120990	87.40	118728	88.20	116317	88.92
60W738	1160	100	138776	104.19	136283	104.92	133728	105.59	131107	106.21	128413	106.77	125652	107.25
60W742	1160	125	147957	126.27	145346	126.28	142675	126.31	139938	126.38	137130	126.46	134252	126.58

CATALOG NO.			CUBIC FEET PER MINUTE AND HORSEPOWER AT STATIC PRESSURE											
			1.75" SP		2.0" SP		2.5" SP		3.0" SP		3.5" SP		4.0" SP	
PROP	RPM	HP	CFM	BHP	CFM	BHP	CFM	BHP	CFM	BHP	CFM	BHP	CFM	BHP
60W722	870	20	49293	20.91	44504	21.12								
60W726	870	25	58180	26.73	53244	26.66								
60W730	870	30	64628	32.34	59625	32.27								
60W734	870	40	70690	37.88	65665	37.92								
60W738	870	50	77321	45.19	71962	45.34								
60W742	870	50	84631	54.33										
60W718	1160	40	67065	33.64	64805	34.68	59938	36.44	54348	37.81	47493	38.70	35871	36.86
60W722	1160	50	80057	44.85	77768	45.79	72800	47.64	67120	49.30	60215	50.06	50867	48.47
60W726	1160	60	93158	59.03	90851	60.24	85741	62.25	79216	63.30	71829	63.26	63868	62.20
60W730	1160	75	103327	74.21	100826	75.17	95228	76.62	88040	76.83	80239	76.47	73577	76.77
60W734	1160	100	113688	89.53	110756	90.00	104074	90.46	96174	89.99	88258	89.78	82049	90.96
60W738	1160	100	122854	107.68	119976	108.02	113664	108.38	105235	107.43	96667	107.26	90442	109.58
60W742	1160	125	131333	126.75	128341	126.95	121890	127.42	114599	128.45				

PERFORMANCE SHOWN IS INSTALLATION TYPE B: FREE INLET, DUCTED OUTLET
 PERFORMANCE RATINGS DO NOT INCLUDE THE EFFECTS OF APPURTENANCES IN THE AIRSTREAM.

Size 66 VW Direct Drive Type W Vaneaxial

CATALOG NO.			CUBIC FEET PER MINUTE AND HORSEPOWER AT STATIC PRESSURE											
			0.25" SP		0.50" SP		0.75" SP		1.0" SP		1.25" SP		1.5" SP	
PROP	RPM	HP	CFM	BHP	CFM	BHP	CFM	BHP	CFM	BHP	CFM	BHP	CFM	BHP
66W718	690	15	60398	9.43	56940	10.48	53083	11.41	48768	12.17	43792	12.75	37554	13.12
66W722	690	15	70857	12.97	67289	14.24	63370	15.20	58980	15.94	53911	16.63	47628	16.97
66W726	690	20	81411	17.69	77736	18.92	73741	20.01	69289	20.90	63635	21.43	56825	21.44
66W730	690	25	89678	23.20	85964	24.25	81792	25.16	76929	25.84	70750	26.08	63488	25.92
66W734	690	30	98558	29.13	94598	29.81	89992	30.35	84207	30.63	77239	30.56	69838	30.43
66W738	690	40	107224	35.64	102373	36.13	97248	36.50	91727	36.72	84533	36.50	76495	36.36
66W742	690	40	114368	42.81	109304	42.85	103960	42.96	98257	43.13	91691	43.46		
66W718	870	25	77674	18.08	75067	19.47	72308	20.78	69355	22.00	66178	23.11	62775	24.09
66W722	870	30	90920	24.94	88216	26.69	85370	28.27	82357	29.64	79140	30.70	75680	31.61
66W726	870	40	104279	34.49	101488	36.13	98558	37.67	95465	39.10	92210	40.40	88712	41.54
66W730	870	50	114696	45.65	111908	47.07	108943	48.39	105761	49.59	102301	50.66	98478	51.53
66W734	870	60	125979	57.83	123039	58.76	119873	59.61	116418	60.36	112511	60.95	107954	61.32
66W738	870	75	137373	71.03	133652	71.72	129790	72.32	125772	72.83	121656	73.25	117318	73.53
66W742	870	100	146482	85.79	142590	85.82	138550	85.89	134372	85.99	130079	86.16	125589	86.38
66W718	1160	60	105030	41.38	103141	43.28	101196	45.14	99190	46.94	97117	48.69	94968	50.37
66W722	1160	75	122751	57.21	120785	59.66	118767	62.02	116692	64.25	114554	66.35	112349	68.31
66W726	1160	100	140614	79.99	138583	82.25	136500	84.44	134360	86.57	132159	88.62	129891	90.59
66W730	1160	125	154491	106.69	152476	108.65	150396	110.54	148247	112.37	146019	114.13	143704	115.80

CATALOG NO.			CUBIC FEET PER MINUTE AND HORSEPOWER AT STATIC PRESSURE											
			1.75" SP		2.0" SP		2.5" SP		3.0" SP		3.5" SP		4.0" SP	
PROP	RPM	HP	CFM	BHP	CFM	BHP	CFM	BHP	CFM	BHP	CFM	BHP	CFM	BHP
66W722	690	15	38211	16.28										
66W726	690	20	49484	20.99										
66W730	690	25	57196	26.02										
66W734	690	30	63961	30.88										
66W738	690	40	70612	37.26										
66W742	690	40												
66W718	870	25	59093	24.90	54994	25.58	44243	26.28						
66W722	870	30	71917	32.54	67750	33.38	57308	33.95						
66W726	870	40	84776	42.45	79968	42.97	69071	42.81						
66W730	870	50	94187	52.16	88902	52.26	77830	52.03						
66W734	870	60	102892	61.48	97067	61.23	85965	61.26						
66W738	870	75	112458	73.63	106229	73.13	94336	73.38						
66W742	870	100	120674	86.62	115330	87.15								
66W718	1160	60	92728	51.97	90393	53.49	85437	56.27	80060	58.58	74048	60.46	67031	61.91
66W722	1160	75	110067	70.07	107701	71.58	102678	74.13	97187	76.59	91064	78.90	83986	80.37
66W726	1160	100	127551	92.48	125148	94.26	120082	97.50	114428	100.15	107493	101.76	99422	102.08
66W730	1160	125	141290	117.39	138762	118.86	133280	121.43	127082	123.32	119523	123.94	110492	123.13

Size 72 VW Direct Drive Type W Vaneaxial

CATALOG NO.			CUBIC FEET PER MINUTE AND HORSEPOWER AT STATIC PRESSURE											
			0.25" SP		0.50" SP		0.75" SP		1.0" SP		1.25" SP		1.5" SP	
PROP	RPM	HP	CFM	BHP	CFM	BHP	CFM	BHP	CFM	BHP	CFM	BHP	CFM	BHP
72W718	690	20	79092	14.30	75405	15.69	71389	16.96	66964	18.08	62099	19.01	56556	19.73
72W722	690	25	92697	19.69	88882	21.41	84775	22.85	80294	23.91	75331	24.86	69690	25.74
72W726	690	30	106422	27.01	102489	28.65	98272	30.14	93744	31.45	88662	32.52	82258	33.12
72W730	690	40	117154	35.56	113200	36.97	108874	38.23	104031	39.30	98459	40.07	91445	40.28
72W734	690	50	128722	44.82	124528	45.74	119843	46.53	114311	47.10	107646	47.36	99848	47.19
72W738	690	50	140176	54.93	134962	55.60	129471	56.14	123767	56.54	117489	56.75	109271	56.35
72W742	690	60	149497	66.13	144049	66.18	138326	66.28	132382	66.46	125945	66.70	118664	67.18
72W718	870	40	101366	27.59	98559	29.41	95619	31.15	92525	32.80	89236	34.35	85739	35.77
72W722	870	50	118584	38.09	115668	40.40	112629	42.55	109448	44.50	106103	46.15	102565	47.49
72W726	870	60	135945	52.87	132935	55.02	129802	57.08	126530	59.02	123107	60.83	119532	62.50
72W730	870	75	149468	70.18	146467	72.04	143314	73.80	139982	75.46	136436	76.98	132618	78.33
72W734	870	100	164140	89.11	160986	90.34	157638	91.49	154057	92.54	150183	93.47	145840	94.21
72W738	870	100	179103	109.56	175079	110.48	170929	111.31	166641	112.05	162221	112.67	157715	113.19
72W742	870	125	190965	132.55	186754	132.58	182419	132.64	177947	132.75	173340	132.91	168642	133.13

CATALOG NO.			CUBIC FEET PER MINUTE AND HORSEPOWER AT STATIC PRESSURE											
			1.75" SP		2.0" SP		2.5" SP		3.0" SP		3.5" SP		4.0" SP	
PROP	RPM	HP	CFM	BHP	CFM	BHP	CFM	BHP	CFM	BHP	CFM	BHP	CFM	BHP
72W718	690	20	49850	20.23	38976	19.55								
72W722	690	25	62920	26.20	54178	25.61								
72W726	690	30	74830	33.16	66942	32.68								
72W730	690	40	83391	40.04	76713	40.19								
72W734	690	50	91608	46.96	85345	47.55								
72W738	690	50	100274	56.06	93966	57.20								
72W742	690	60	109259	67.44										
72W718	870	40	82037	37.05	78090	38.15	69043	39.90	56589	40.52				
72W722	870	50	98801	48.67	94770	49.89	85586	51.97	73729	52.40				
72W726	870	60	115732	63.98	111566	65.24	101011	66.51	89053	66.07				
72W730	870	75	128466	79.48	123899	80.36	112217	80.52	100531	80.41	88070	80.33		
72W734	870	100	140893	94.70	135442	94.94	122703	94.30	111128	94.73				
72W738	870	100	153000	113.57	147860	113.77	134224	112.50	121994	113.52				
72W742	870	125	163758	133.41	158521	133.73	146761	135.11						

PERFORMANCE SHOWN IS INSTALLATION TYPE B: FREE INLET, DUCTED OUTLET
 PERFORMANCE RATINGS DO NOT INCLUDE THE EFFECTS OF APPURTENANCES IN THE AIRSTREAM.

Size 84 VW Direct Drive Type W Vaneaxial

CATALOG NO.			CUBIC FEET PER MINUTE AND HORSEPOWER AT STATIC PRESSURE											
			0.25" SP		0.50" SP		0.75" SP		1.0" SP		1.25" SP		1.5" SP	
PROP	RPM	HP	CFM	BHP	CFM	BHP	CFM	BHP	CFM	BHP	CFM	BHP	CFM	BHP
84W718	690	40	127079	30.08	122903	32.35	118487	34.50	113772	36.50	108703	38.33	103279	39.96
84W722	690	50	148740	41.50	144407	44.37	139852	46.97	135035	49.22	129903	50.99	124393	52.49
84W726	690	75	170585	57.40	166113	60.09	161422	62.62	156476	64.97	151278	67.11	145714	69.00
84W730	690	100	187619	76.01	183152	78.33	178407	80.49	173327	82.48	167817	84.24	161748	85.71
84W734	690	100	206069	96.31	201361	97.84	196299	99.23	190789	100.47	184599	101.47	177391	102.11
84W738	690	125	224724	118.30	218761	119.44	212573	120.44	206140	121.28	199550	121.97	192642	122.46
84W718	870	100	162116	58.56	158897	61.50	155573	64.35	152132	67.11	148560	69.76	144832	72.30
84W722	870	100	189505	80.94	186157	84.72	182709	88.31	179153	91.69	175476	94.85	171666	97.74
84W726	870	125	217114	113.00	213655	116.48	210097	119.85	206432	123.10	202648	126.22	198734	129.20

CATALOG NO.			CUBIC FEET PER MINUTE AND HORSEPOWER AT STATIC PRESSURE											
			1.75" SP		2.0" SP		2.5" SP		3.0" SP		3.5" SP		4.0" SP	
PROP	RPM	HP	CFM	BHP	CFM	BHP	CFM	BHP	CFM	BHP	CFM	BHP	CFM	BHP
84W718	690	40	97434	41.32	90968	42.47	74544	43.86						
84W722	690	50	118421	54.02	111838	55.43	95547	56.63						
84W726	690	75	139514	70.55	132016	71.51	114648	71.45						
84W730	690	100	154965	86.78	146794	87.11	128702	86.63	110740	86.60				
84W734	690	100	169332	102.40	160232	102.11	141907	101.87						
84W738	690	125	184989	122.68	175369	122.02	155603	121.89						
84W718	870	100	140929	74.70	136846	76.95	128146	80.96	118501	84.12	107299	86.66	93080	87.89
84W722	870	100	167705	100.20	163575	102.32	154725	106.09	144874	109.89	133555	112.75	119689	113.47
84W726	870	125	194694	132.01	190524	134.66	181563	139.30	170976	142.67	157701	143.81	143826	143.13

PERFORMANCE SHOWN IS INSTALLATION TYPE B: FREE INLET, DUCTED OUTLET
 PERFORMANCE RATINGS DO NOT INCLUDE THE EFFECTS OF APPURTENANCES IN THE AIRSTREAM.

Performance Data – Belt Driven

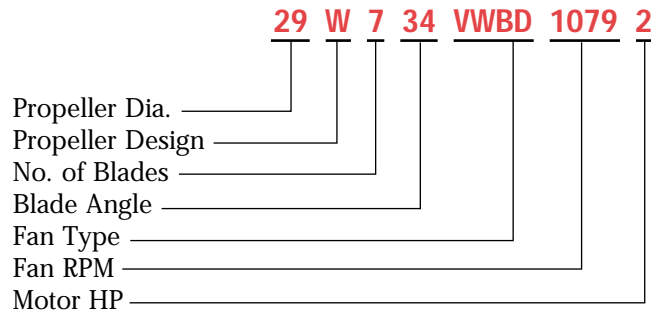
Belt Driven Vaneaxial Type W

Ratings for belt driven Type W fans are presented in the same form as the direct drive fans. The blade angle is 34°. This angle was chosen to give optimum overall performance. These fans can be built having other blade angles to meet special design requirements, but it would be impractical to represent in table form all of this information. Therefore, special performance requirements in this regard can be referred to your Aerovent representative or the Aerovent Fan Selector® Program. It should be understood that performances in the belt driven tables cannot be correlated with the performances in the direct drive tables even at the same angle setting. This is because there are friction losses in the belt drive and bearings, and also a disturbance in the airstream due to the belt housing. Both of these elements of construction tend to reduce the overall fan efficiency by creating losses. The horsepower shown in the rating table includes

these losses and lists, therefore, the actual power that must be delivered by the motor.

Catalog Numbering System

To identify a specific fan for ordering or engineering specifications, it is necessary to show the complete information listed in the tables below under catalog number. All performance data is available in curve form upon request.



Size 25 VWBD Belt Driven Type W Vaneaxial

CATALOG NO.			CUBIC FEET PER MINUTE AND HORSEPOWER AT STATIC PRESSURE											
			0.25" SP		0.50" SP		0.75" SP		1.0" SP		1.25" SP		1.5" SP	
PROP	RPM	HP	CFM	BHP	CFM	BHP	CFM	BHP	CFM	BHP	CFM	BHP	CFM	BHP
25W734	1097	1	7499	.989	6121	1.00								
25W734	1255	1½	8895	1.46	7817	1.50	6514	1.51						
25W734	1382	2	9987	1.94	9049	2.00	7933	2.00	6628	2.01				
25W734	1582	3	11673	2.88	10880	2.96	10020	3.01	9005	3.01	7977	3.03		
25W734	1875	5	14093	4.76	13444	4.86	12763	4.94	12040	5.00	11230	5.02	10311	5.00
25W734	2147	7½	16310	7.10	15752	7.23	15173	7.34	14574	7.43	13947	7.49	13268	7.53
25W734	2363	10	18055	9.43	17553	9.58	17036	9.71	16503	9.82	15955	9.92	15384	9.99
25W734	2704	15	20794	14.07	20360	14.25	19916	14.41	19462	14.56	18996	14.69	18521	14.81

CATALOG NO.			CUBIC FEET PER MINUTE AND HORSEPOWER AT STATIC PRESSURE											
			1.75" SP		2.0" SP		2.5" SP		3.0" SP		3.5" SP		4.0" SP	
PROP	RPM	HP	CFM	BHP	CFM	BHP	CFM	BHP	CFM	BHP	CFM	BHP	CFM	BHP
25W734	1875	5	9477	5.04										
25W734	2147	7½	12516	7.52	11697	7.50								
25W734	2363	10	14775	10.03	14113	10.04	12666	10.01						
25W734	2704	15	18034	14.90	17530	14.97	16431	15.05	15186	15.00	13995	15.07		

Size 29 VWBD Belt Driven Type W Vaneaxial

CATALOG NO.			CUBIC FEET PER MINUTE AND HORSEPOWER AT STATIC PRESSURE											
			0.25" SP		0.50" SP		0.75" SP		1.0" SP		1.25" SP		1.5" SP	
PROP	RPM	HP	CFM	BHP	CFM	BHP	CFM	BHP	CFM	BHP	CFM	BHP	CFM	BHP
29W734	980	1½	10570	1.48	8841	1.50								
29W734	1079	2	11929	1.96	10472	2.01	8716	2.01						
29W734	1235	3	14016	2.90	12813	2.98	11421	3.01	9875	3.02				
29W734	1464	5	17006	4.78	16026	4.90	14985	4.98	13816	5.02	12456	5.00	11097	5.03
29W734	1676	7½	19726	7.12	18887	7.27	18010	7.39	17090	7.48	16081	7.52	14940	7.51
29W734	1845	10	21871	9.46	21118	9.64	20336	9.79	19527	9.90	18680	9.99	17760	10.04
29W734	2112	15	25236	14.12	24587	14.33	23920	14.52	23232	14.69	22527	14.83	21800	14.94
29W734	2324	10	27891	18.76	27305	19.00	26706	19.22	26093	19.42	25464	19.60	24823	19.75
29W734	2504	25	30138	23.43	29597	23.69	29046	23.93	28483	24.16	27908	24.36	27322	24.55

CATALOG NO.			CUBIC FEET PER MINUTE AND HORSEPOWER AT STATIC PRESSURE											
			1.75" SP		2.0" SP		2.5" SP		3.0" SP		3.5" SP		4.0" SP	
PROP	RPM	HP	CFM	BHP	CFM	BHP	CFM	BHP	CFM	BHP	CFM	BHP	CFM	BHP
29W734	1676	7½	13783	7.52										
29W734	1845	10	16740	10.03	15636	10.00								
29W734	2112	15	21035	15.02	20213	15.06	18368	15.01	16614	15.12				
29W734	2324	10	24166	19.87	23484	19.97	21996	20.06	20308	20.00	18711	20.11		
29W734	2504	25	26725	24.70	26116	24.84	24832	25.04	23408	25.09	21824	25.01	20336	25.12

PERFORMANCE SHOWN IS INSTALLATION TYPE B: FREE INLET, DUCTED OUTLET
 POWER RATING (BHP) INCLUDES DRIVE LOSSES.
 PERFORMANCE RATINGS DO NOT INCLUDE THE EFFECTS OF APPURTENANCES IN THE AIRSTREAM.

Size 33 VWBD Belt Driven Type W Vaneaxial

CATALOG NO.			CUBIC FEET PER MINUTE AND HORSEPOWER AT STATIC PRESSURE											
			0.25" SP		0.50" SP		0.75" SP		1.0" SP		1.25" SP		1.5" SP	
PROP	RPM	HP	CFM	BHP	CFM	BHP	CFM	BHP	CFM	BHP	CFM	BHP	CFM	BHP
33W734	870	2	13867	1.97	11671	2.01								
33W734	996	3	16397	2.92	14647	3.00	12479	3.00						
33W734	1181	5	20002	4.81	18596	4.94	17061	5.02	15232	5.01	13368	5.04		
33W734	1351	7½	23245	7.15	22045	7.32	20782	7.44	19408	7.51	17827	7.51	16212	7.53
33W734	1487	10	25808	9.48	24734	9.68	23611	9.85	22436	9.96	21155	10.02	19710	10.01
33W734	1703	15	29841	14.17	28918	14.41	27962	14.62	26975	14.80	25954	14.93	24873	15.03
33W734	1874	20	33011	18.82	32179	19.09	31324	19.34	30444	19.56	29542	19.75	28612	19.89

CATALOG NO.			CUBIC FEET PER MINUTE AND HORSEPOWER AT STATIC PRESSURE											
			1.75" SP		2.0" SP		2.5" SP		3.0" SP		3.5" SP		4.0" SP	
PROP	RPM	HP	CFM	BHP	CFM	BHP	CFM	BHP	CFM	BHP	CFM	BHP	CFM	BHP
33W734	1487	10	18196	10.01	16653	10.05								
33W734	1703	15	23692	15.06	22399	15.03	19877	15.12						
33W734	1874	20	27639	20.00	26597	20.07	24260	20.01	21998	20.14				

Size 38 VWBD Belt Driven Type W Vaneaxial

CATALOG NO.			CUBIC FEET PER MINUTE AND HORSEPOWER AT STATIC PRESSURE											
			0.25" SP		0.50" SP		0.75" SP		1.0" SP		1.25" SP		1.5" SP	
PROP	RPM	HP	CFM	BHP	CFM	BHP	CFM	BHP	CFM	BHP	CFM	BHP	CFM	BHP
38W734	787	3	19363	2.94	16663	3.01	13217	3.00						
38W734	933	5	23784	4.84	21689	4.97	19249	5.01	16573	5.04				
38W734	1068	7½	27764	7.19	25988	7.38	24081	7.49	21869	7.51	19511	7.53		
38W734	1176	10	30902	9.54	29316	9.77	27646	9.94	25834	10.03	23749	10.02	21603	10.05
38W734	1346	15	35785	14.22	34425	14.50	33008	14.73	31537	14.91	29968	15.03	28225	15.05
38W734	1481	20	39628	18.86	38406	19.19	37141	19.47	35834	19.70	34483	19.88	33053	20.01
38W734	1596	25	42885	23.55	41758	23.91	40599	24.23	39404	24.51	38179	24.74	36912	24.92
38W734	1696	30	45707	28.21	44652	28.59	43570	28.95	42459	29.26	41320	29.53	40155	29.76

CATALOG NO.			CUBIC FEET PER MINUTE AND HORSEPOWER AT STATIC PRESSURE											
			1.75" SP		2.0" SP		2.5" SP		3.0" SP		3.5" SP		4.0" SP	
PROP	RPM	HP	CFM	BHP	CFM	BHP	CFM	BHP	CFM	BHP	CFM	BHP	CFM	BHP
38W734	1346	15	26285	15.01	24491	15.08								
38W734	1481	20	31492	20.06	29783	20.02	26442	20.13						
38W734	1596	25	35575	25.05	34133	25.10	30896	25.01	27819	25.21				
38W734	1696	30	38949	29.94	37680	30.06	34860	30.09	31791	30.05				

Size 43 VWBD Belt Driven Type W Vaneaxial

CATALOG NO.			CUBIC FEET PER MINUTE AND HORSEPOWER AT STATIC PRESSURE											
			0.25" SP		0.50" SP		0.75" SP		1.0" SP		1.25" SP		1.5" SP	
PROP	RPM	HP	CFM	BHP	CFM	BHP	CFM	BHP	CFM	BHP	CFM	BHP	CFM	BHP
43W734	641	3	22332	2.97	18295	3.01								
43W734	759	5	27606	4.86	24602	5.00	20885	4.99						
43W734	869	7½	32368	7.22	29857	7.42	27043	7.52	23704	7.50				
43W734	957	10	36110	9.59	33873	9.84	31480	10.00	28733	10.03	25705	10.03		
43W734	1095	15	41898	14.25	39987	14.57	37982	14.82	35859	14.98	33485	15.04	30792	14.99
43W734	1206	20	46505	18.96	44792	19.33	43007	19.64	41156	19.87	39194	20.04	37029	20.09
43W734	1299	25	50341	23.62	48763	24.03	47129	24.39	45441	24.68	43691	24.91	41834	25.06
43W734	1380	30	53667	28.26	52190	28.71	50668	29.11	49097	29.45	47484	29.72	45807	29.93
43W734	1519	40	59351	37.58	58020	38.09	56655	38.55	55256	38.96	53820	39.32	52353	39.62
43W734	1636	50	64118	46.86	62888	47.42	61632	47.93	60349	48.40	59036	48.82	57696	49.20

CATALOG NO.			CUBIC FEET PER MINUTE AND HORSEPOWER AT STATIC PRESSURE											
			1.75" SP		2.0" SP		2.5" SP		3.0" SP		3.5" SP		4.0" SP	
PROP	RPM	HP	CFM	BHP	CFM	BHP	CFM	BHP	CFM	BHP	CFM	BHP	CFM	BHP
43W734	1095	15	28327	15.10										
43W734	1206	20	34623	20.04	32268	20.09								
43W734	1299	25	39802	25.11	37575	25.05	33267	25.22						
43W734	1380	30	44022	30.07	42082	30.10	37810	30.01						
43W734	1519	40	50840	39.86	49255	40.04	45751	40.13	41827	40.01	38160	40.32		
43W734	1636	50	56331	49.51	54928	49.78	51934	50.13	48572	50.11	44915	50.00	41628	50.39

PERFORMANCE SHOWN IS INSTALLATION TYPE B: FREE INLET, DUCTED OUTLET
 POWER RATING (BHP) INCLUDES DRIVE LOSSES.
 PERFORMANCE RATINGS DO NOT INCLUDE THE EFFECTS OF APPURTENANCES IN THE AIRSTREAM.

Size 48 WWBD Belt Driven Type W Vaneaxial

CATALOG NO.			CUBIC FEET PER MINUTE AND HORSEPOWER AT STATIC PRESSURE											
			0.25" SP		0.50" SP		0.75" SP		1.0" SP		1.25" SP		1.5" SP	
PROP	RPM	HP	CFM	BHP	CFM	BHP	CFM	BHP	CFM	BHP	CFM	BHP	CFM	BHP
48W734	632	5	31452	4.89	27248	5.01	22218	5.03						
48W734	724	7½	37069	7.28	33639	7.48	29575	7.52						
48W734	797	10	41434	9.64	38392	9.91	35036	10.05	25050	7.56				
48W734	912	15	48198	14.33	45606	14.68	42869	14.93	39861	15.06	36374	15.02	32990	15.11
48W734	1004	20	53543	19.02	51224	19.44	48796	19.76	46243	19.99	43430	20.10	40245	20.04
48W734	1081	25	57984	23.67	55851	24.13	53628	24.51	51324	24.81	48881	25.01	46188	25.08
48W734	1149	30	61887	28.35	59893	28.85	57827	29.29	55690	29.64	53471	29.91	51101	30.08
48W734	1264	40	68455	37.62	66658	38.19	64809	38.70	62903	39.15	60949	39.51	58928	39.80
48W734	1362	50	74025	46.96	72368	47.59	70670	48.16	68927	48.68	67140	49.13	65315	49.50
48W734	1447	60	78844	56.22	77290	56.90	75703	57.53	74080	58.10	72418	58.61	70723	59.06

CATALOG NO.			CUBIC FEET PER MINUTE AND HORSEPOWER AT STATIC PRESSURE											
			1.75" SP		2.0" SP		2.5" SP		3.0" SP		3.5" SP		4.0" SP	
PROP	RPM	HP	CFM	BHP	CFM	BHP	CFM	BHP	CFM	BHP	CFM	BHP	CFM	BHP
48W734	1004	20	37109	20.11										
48W734	1081	25	43193	25.01	40256	25.07								
48W734	1149	30	48495	30.11	45639	30.03	40078	30.24						
48W734	1264	40	56797	40.01	54498	40.10	49338	39.95	44435	40.28				
48W734	1362	50	63432	49.80	61461	50.03	57104	50.14	52216	49.99	47675	50.38		
48W734	1447	60	68994	59.44	67211	59.75	63385	60.14	59072	60.06	54542	60.04	49981	60.33

Size 54 WWBD Belt Driven Type W Vaneaxial

CATALOG NO.			CUBIC FEET PER MINUTE AND HORSEPOWER AT STATIC PRESSURE											
			0.25" SP		0.50" SP		0.75" SP		1.0" SP		1.25" SP		1.5" SP	
PROP	RPM	HP	CFM	BHP	CFM	BHP	CFM	BHP	CFM	BHP	CFM	BHP	CFM	BHP
54W734	520	5	36084	4.94	29947	5.02								
54W734	595	7½	42720	7.32	37872	7.52	31910	7.52						
54W734	655	10	47898	9.70	43654	9.97	38700	10.05	33278	10.10				
54W734	749	15	55854	14.37	52252	14.75	48380	14.98	43878	15.02	39119	15.06		
54W734	825	20	62192	19.10	58977	19.55	55591	19.88	51909	20.08	47669	20.05	43347	20.11
54W734	888	25	67400	23.72	64448	24.24	61356	24.65	58101	24.93	54503	25.06	50426	24.98
54W734	944	30	72003	28.42	69248	28.99	66375	29.46	63390	29.81	60201	30.04	56654	30.09
54W734	1039	40	79766	37.75	77290	38.40	74727	38.97	72078	39.44	69337	39.80	66432	40.04
54W734	1119	50	86269	47.04	83985	47.76	81634	48.40	79210	48.96	76724	49.42	74151	49.78
54W734	1189	60	91938	56.33	89799	57.11	87605	57.81	85352	58.44	83041	58.99	80677	59.44

CATALOG NO.			CUBIC FEET PER MINUTE AND HORSEPOWER AT STATIC PRESSURE											
			1.75" SP		2.0" SP		2.5" SP		3.0" SP		3.5" SP		4.0" SP	
PROP	RPM	HP	CFM	BHP	CFM	BHP	CFM	BHP	CFM	BHP	CFM	BHP	CFM	BHP
54W734	888	25	46481	25.09										
54W734	944	30	52709	29.99	49105	30.17								
54W734	1039	40	63259	40.13	59783	40.04	53022	40.30						
54W734	1119	50	71434	50.03	68497	50.14	61906	49.94	55593	50.34				
54W734	1189	60	78227	59.79	75645	60.04	69901	60.08	63713	60.04				

Size 60 WWBD Belt Driven Type W Vaneaxial

CATALOG NO.			CUBIC FEET PER MINUTE AND HORSEPOWER AT STATIC PRESSURE											
			0.25" SP		0.50" SP		0.75" SP		1.0" SP		1.25" SP		1.5" SP	
PROP	RPM	HP	CFM	BHP	CFM	BHP	CFM	BHP	CFM	BHP	CFM	BHP	CFM	BHP
60W734	499	7½	48343	7.36	41624	7.53	33184	7.53						
60W734	549	10	54349	9.72	48580	9.99	41445	9.99						
60W734	629	15	63743	14.48	58911	14.88	53535	15.08	47091	15.03				
60W734	692	20	71011	19.16	66700	19.66	62102	19.98	56857	20.07	50958	20.04		
60W734	745	25	77065	23.81	73112	24.38	68949	24.79	64431	25.03	59236	25.01	53887	25.07
60W734	792	30	82396	28.52	78713	29.15	74854	29.64	70779	29.97	66249	30.10	61112	30.00
60W734	872	40	91409	37.90	88106	38.63	84667	39.24	81104	39.71	77341	40.04	73209	40.18
60W734	939	50	98912	47.18	95868	47.99	92720	48.70	89466	49.28	86102	49.73	82542	50.05
60W734	998	60	105491	56.53	102644	57.41	99711	58.19	96686	58.87	93581	59.42	90361	59.84
60W734	1075	75	114047	70.49	111419	71.46	108725	72.34	105958	73.12	103120	73.80	100218	74.36

CATALOG NO.			CUBIC FEET PER MINUTE AND HORSEPOWER AT STATIC PRESSURE											
			1.75" SP		2.0" SP		2.5" SP		3.0" SP		3.5" SP		4.0" SP	
PROP	RPM	HP	CFM	BHP	CFM	BHP	CFM	BHP	CFM	BHP	CFM	BHP	CFM	BHP
60W734	792	30	56289	30.18										
60W734	872	40	68616	40.08	63966	40.12								
60W734	939	50	78661	50.17	74410	50.07	66087	50.35						
60W734	998	60	86947	60.14	83247	60.23	79990	60.01	66368	60.23				
60W734	1075	75	97215	74.81	94055	75.13	87037	75.21	79385	75.10				

PERFORMANCE SHOWN IS INSTALLATION TYPE B: FREE INLET, DUCTED OUTLET
 POWER RATING (BHP) INCLUDES DRIVE LOSSES
 PERFORMANCE RATINGS DO NOT INCLUDE THE EFFECTS OF APPURTENANCES IN THE AIRSTREAM.

Size 66 VWBD Belt Driven Type W Vaneaxial

CATALOG NO.			CUBIC FEET PER MINUTE AND HORSEPOWER AT STATIC PRESSURE											
			0.25" SP		0.50" SP		0.75" SP		1.0" SP		1.25" SP		1.5" SP	
PROP	RPM	HP	CFM	BHP	CFM	BHP	CFM	BHP	CFM	BHP	CFM	BHP	CFM	BHP
66W734	467	10	60648	9.69	52912	9.94	43681	9.98						
66W734	535	15	71408	14.41	65055	14.82	57628	14.93	49508	15.01				
66W734	589	20	79779	19.11	74139	19.63	67970	19.92	60614	19.88	53043	20.01		
66W734	634	25	86673	23.72	81503	24.33	76002	24.73	69761	24.87	62635	24.80		
66W734	674	30	92752	28.40	87942	29.08	82874	29.58	77358	29.86	71002	29.82	64553	29.91
66W734	742	40	10300	37.71	98701	38.51	94198	39.15	89484	39.61	84339	39.86	78534	39.79
66W734	799	50	111542	46.94	107580	47.83	103458	48.58	99190	49.17	94695	49.58	89781	49.78
66W734	850	60	119143	56.38	115442	57.35	111613	58.20	107656	58.89	103561	59.43	99221	59.80
66W734	915	75	128789	70.14	125375	71.22	121860	72.18	118237	73.01	114521	73.70	110674	74.23
66W734	1007	100	142383	93.24	139304	94.45	136152	95.57	132920	96.57	129607	97.45	126228	98.20
66W734	1084	125	153718	116.09	150871	117.42	147967	118.65	145001	119.79	141970	120.82	138876	121.74

CATALOG NO.			CUBIC FEET PER MINUTE AND HORSEPOWER AT STATIC PRESSURE											
			1.75" SP		2.0" SP		2.5" SP		3.0" SP		3.5" SP		4.0" SP	
PROP	RPM	HP	CFM	BHP	CFM	BHP	CFM	BHP	CFM	BHP	CFM	BHP	CFM	BHP
66W734	742	40	72493	39.80	66082	39.92								
66W734	799	50	84323	49.68	78640	49.66								
66W734	850	60	94480	59.93	89285	59.80	79185	60.18						
66W734	915	75	106610	74.61	102217	74.76	92360	74.47	82897	75.06				
66W734	1007	100	122752	98.81	119132	99.28	111191	99.65	102178	99.28	93967	100.05		
66W734	1084	125	135729	122.53	132504	123.19	125674	124.12	118050	124.24	109573	123.83	102036	24.70

Size 72 VWBD Belt Driven Type W Vaneaxial

CATALOG NO.			CUBIC FEET PER MINUTE AND HORSEPOWER AT STATIC PRESSURE											
			0.25" SP		0.50" SP		0.75" SP		1.0" SP		1.25" SP		1.5" SP	
PROP	RPM	HP	CFM	BHP	CFM	BHP	CFM	BHP	CFM	BHP	CFM	BHP	CFM	BHP
72W734	405	10	67333	9.81	57184	10.01								
72W734	464	15	79597	14.59	71453	15.00	61484	15.01						
72W734	511	20	89142	19.35	81964	19.89	73837	20.12	64407	20.10				
72W734	550	25	96956	24.01	90390	24.66	83272	25.03	74879	25.03	66365	25.19		
72W734	584	30	103708	28.64	97591	29.37	91089	29.85	83739	30.03	75279	29.93		
72W734	643	40	115323	38.02	109858	38.89	104122	39.55	98003	39.97	91094	40.07	83324	39.94
72W734	693	50	125086	47.43	120069	48.41	114829	49.20	109365	49.78	103456	50.14	96846	50.13
72W734	736	60	133439	56.67	128749	57.74	123872	58.65	118824	59.35	113517	59.86	107729	60.11
72W734	793	75	144458	70.68	140140	71.87	135676	72.91	131065	73.78	126309	74.46	121302	74.95
72W734	873	100	159848	94.01	155958	95.36	151963	96.58	147854	97.65	143640	98.57	139315	99.31
72W734	939	125	172493	116.75	168895	118.22	165214	119.58	161445	120.81	157583	121.91	153644	122.84

CATALOG NO.			CUBIC FEET PER MINUTE AND HORSEPOWER AT STATIC PRESSURE											
			1.75" SP		2.0" SP		2.5" SP		3.0" SP		3.5" SP		4.0" SP	
PROP	RPM	HP	CFM	BHP	CFM	BHP	CFM	BHP	CFM	BHP	CFM	BHP	CFM	BHP
72W734	643	40	76165	40.26										
72W734	693	50	89598	50.01	83161	50.40								
72W734	736	60	101306	60.01	94515	59.94								
72W734	793	75	115876	75.19	109938	75.09	97976	75.33						
72W734	873	100	134807	99.87	130016	100.25	119299	100.11	108451	100.44				
72W734	939	125	149607	123.62	145421	124.23	136316	124.85	125995	124.46	116113	125.06		

Size 84 VWBD Belt Driven Type W Vaneaxial

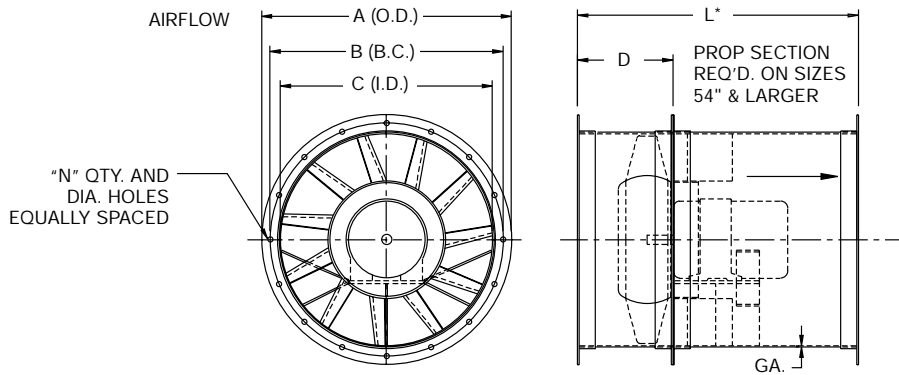
CATALOG NO.			CUBIC FEET PER MINUTE AND HORSEPOWER AT STATIC PRESSURE											
			0.25" SP		0.50" SP		0.75" SP		1.0" SP		1.25" SP		1.5" SP	
PROP	RPM	HP	CFM	BHP	CFM	BHP	CFM	BHP	CFM	BHP	CFM	BHP	CFM	BHP
84W734	359	15	95608	14.73	82604	15.08	66872	15.13						
84W734	395	20	107456	19.47	96265	20.01	82488	20.01						
84W734	425	25	117163	24.11	107016	24.80	95260	25.00	82271	25.10				
84W734	452	30	125800	28.88	116400	29.68	105980	30.09	93450	29.98				
84W734	498	40	140351	38.39	131975	39.38	123060	40.03	112944	40.24	101400	40.14		
84W734	536	50	152250	47.67	144566	48.80	136483	49.63	127744	50.12	117728	50.11	107190	50.15
84W734	570	60	162825	57.15	155668	58.40	148174	59.38	140279	60.05	131544	60.36	121646	60.18
84W734	614	75	176432	71.20	169852	72.60	162996	73.76	155883	74.65	148326	75.24	139966	75.43
84W734	675	100	195180	94.24	189256	95.84	183131	97.24	176802	98.41	170268	99.31	163370	99.95
84W734	727	125	211081	117.45	205617	119.22	199997	120.80	194206	122.18	188268	123.33	182138	124.23

CATALOG NO.			CUBIC FEET PER MINUTE AND HORSEPOWER AT STATIC PRESSURE											
			1.75" SP		2.0" SP		2.5" SP		3.0" SP		3.5" SP		4.0" SP	
PROP	RPM	HP	CFM	BHP	CFM	BHP	CFM	BHP	CFM	BHP	CFM	BHP	CFM	BHP
84W734	570	60	112118	60.45										
84W734	614	75	130667	75.21	121768	75.47								
84W734	675	100	155870	100.24	147657	100.06	131376	100.52						
84W734	727	125	175689	124.89	168748	125.23	153174	124.79	138396	125.7				

PERFORMANCE SHOWN IS INSTALLATION TYPE B: FREE INLET, DUCTED OUTLET
 POWER RATING (BHP) INCLUDES DRIVE LOSSES.
 PERFORMANCE RATINGS DO NOT INCLUDE THE EFFECTS OF APPURTENANCES IN THE AIRSTREAM.

Dimensional Data

Direct Drive Type W



NOTE: Motors may be foot mounted, C-flange mount or both, depending on motor frame size and fan size.

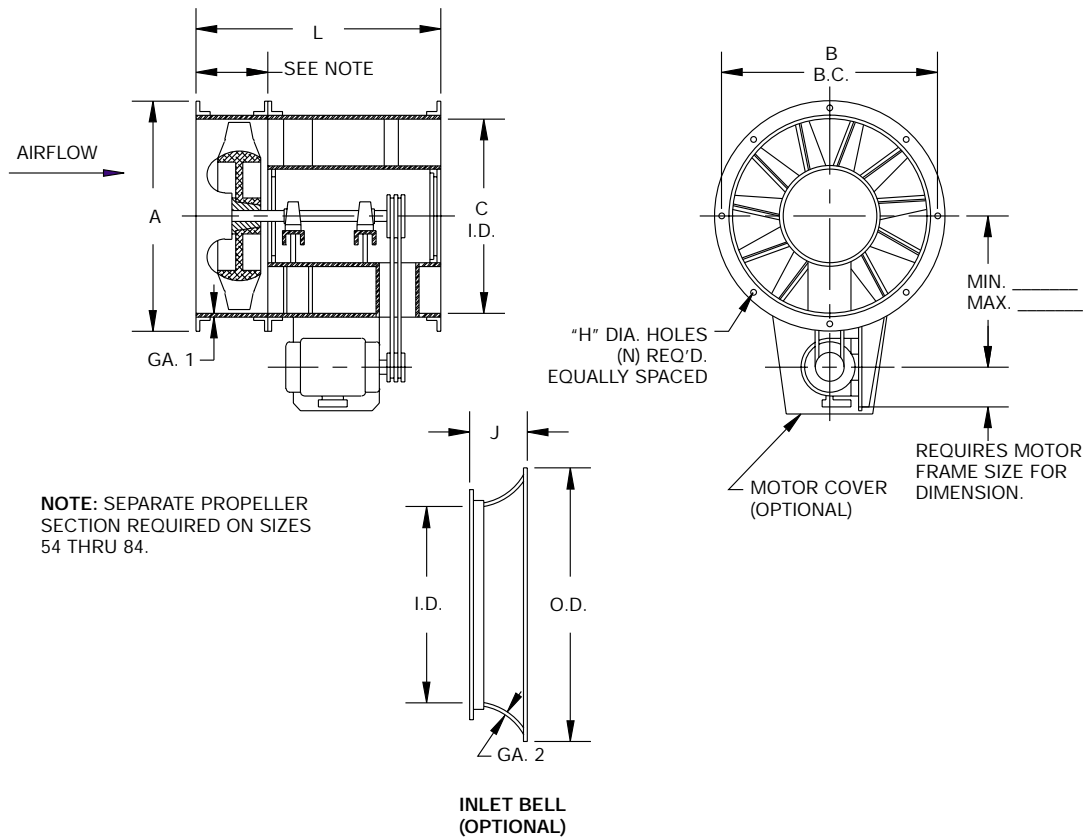
*Based on nominal NEMA motor lengths. Special motors may require longer housings.

SIZE	MAXIMUM MOTOR FRAME	DIMENSIONS (INCHES)						GAUGE
		A	B	C	D	L*	N	
18	184T	21 ⁷ / ₁₆	20	18 ³ / ₁₆	N/A	20	(8) ⁷ / ₁₆	10
22	215T	25 ⁷ / ₁₆	24	22 ³ / ₁₆	N/A	24	(8) ⁷ / ₁₆	10
24	184T	27 ⁵ / ₁₆	25 ⁷ / ₈	24 ¹ / ₁₆	N/A	24	(8) ⁷ / ₁₆	10
	256T	27 ⁵ / ₁₆	25 ⁷ / ₈	24 ¹ / ₁₆	N/A	28	(8) ⁷ / ₁₆	10
25	184T	28 ⁹ / ₁₆	27 ¹ / ₈	25 ⁵ / ₁₆	N/A	24	(8) ⁷ / ₁₆	10
	256T	28 ⁹ / ₁₆	27 ¹ / ₈	25 ⁵ / ₁₆	N/A	28	(8) ⁷ / ₁₆	10
27	215T	30 ⁵ / ₁₆	28 ¹⁵ / ₁₆	27 ¹ / ₁₆	N/A	26	(8) ⁷ / ₁₆	10
29	215T	32 ⁷ / ₁₆	31 ³ / ₁₆	29 ³ / ₁₆	N/A	26	(16) ⁷ / ₁₆	³ / ₁₆
30	256T	34 ⁵ / ₁₆	32 ³ / ₁₆	29 ¹⁵ / ₁₆	N/A	32	(16) ⁷ / ₁₆	³ / ₁₆
33	256T	37 ¹¹ / ₁₆	35 ¹ / ₄	33 ⁵ / ₁₆	N/A	32	(16) ⁷ / ₁₆	³ / ₁₆
36	324T	40 ⁷ / ₁₆	38 ³ / ₈	36 ¹ / ₁₆	N/A	38	(16) ⁷ / ₁₆	³ / ₁₆
38	324T	42 ¹¹ / ₁₆	40 ¹ / ₄	38 ⁵ / ₁₆	N/A	38	(16) ⁷ / ₁₆	³ / ₁₆
42	326T	46 ⁷ / ₁₆	44 ⁵ / ₁₆	42 ¹ / ₁₆	N/A	36	(16) ⁷ / ₁₆	³ / ₁₆
	365T	46 ⁷ / ₁₆	44 ⁵ / ₁₆	42 ¹ / ₁₆	N/A	42	(16) ⁷ / ₁₆	³ / ₁₆
43	326T	47 ³ / ₄	45 ⁵ / ₁₆	43 ³ / ₈	N/A	36	(16) ⁷ / ₁₆	³ / ₁₆
	365T	47 ³ / ₄	45 ⁵ / ₁₆	43 ³ / ₈	N/A	42	(16) ⁷ / ₁₆	³ / ₁₆
48	286T	52 ¹⁵ / ₁₆	50 ¹³ / ₁₆	48 ⁹ / ₁₆	N/A	36	(16) ⁷ / ₁₆	³ / ₁₆
	364T	52 ¹⁵ / ₁₆	50 ¹³ / ₁₆	48 ⁹ / ₁₆	N/A	42	(16) ⁷ / ₁₆	³ / ₁₆
54	326T	59	56 ¹³ / ₁₆	54 ¹ / ₂	13	40	(24) ⁷ / ₁₆	¹ / ₄
	405T	59	56 ¹³ / ₁₆	54 ¹ / ₂	13	46	(24) ⁷ / ₁₆	¹ / ₄
60	365T	65	62 ¹³ / ₁₆	60 ¹ / ₂	13	42	(24) ⁷ / ₁₆	¹ / ₄
	445T	65	62 ¹³ / ₁₆	60 ¹ / ₂	13	50	(24) ⁷ / ₁₆	¹ / ₄
66	365T	72 ¹ / ₄	70	66 ³ / ₄	18	48	(24) ⁹ / ₁₆	¹ / ₄
	445T	72 ¹ / ₄	70	66 ³ / ₄	18	56	(24) ⁹ / ₁₆	¹ / ₄
72	365T	79 ¹ / ₄	76 ⁵ / ₈	72 ³ / ₄	18	48	(24) ⁹ / ₁₆	¹ / ₄
	445T	79 ¹ / ₄	76 ⁵ / ₈	72 ³ / ₄	18	56	(24) ⁹ / ₁₆	¹ / ₄
84	445T	91 ³ / ₈	88 ³ / ₄	84 ⁷ / ₈	20	58	(24) ⁹ / ₁₆	¹ / ₄

DIMENSIONS ARE NOT TO BE USED FOR CONSTRUCTION.

Dimensional Data

Belt Driven Type W



SIZE	DIMENSIONS (INCHES)							O.D.	I.D.	GA. 1	GA. 2
	A	B	C	H	J	L	N				
25	28 ⁹ / ₁₆	27 ¹ / ₈	25 ⁵ / ₁₆	⁷ / ₁₆	3 ¹ / ₄	32	8	28 ¹ / ₂	25 ¹ / ₄	10	14
29	32 ⁹ / ₁₆	31 ³ / ₁₆	29 ³ / ₁₆	⁷ / ₁₆	3 ¹ / ₄	36	16	32 ¹ / ₂	29 ¹ / ₄	7	14
33	37 ¹¹ / ₁₆	35 ¹ / ₄	33 ⁵ / ₁₆	⁷ / ₁₆	5 ¹ / ₈	36	16	38 ¹ / ₁₆	33 ⁵ / ₁₆	7	14
38	42 ¹¹ / ₁₆	40 ¹ / ₄	38 ⁵ / ₁₆	⁷ / ₁₆	5 ¹ / ₈	42	16	43 ¹ / ₁₆	38 ⁵ / ₁₆	7	14
43	47 ³ / ₄	45 ⁵ / ₁₆	43 ³ / ₈	⁷ / ₁₆	5 ¹ / ₈	42	16	48 ¹ / ₈	43 ³ / ₈	7	14
48	52 ¹⁵ / ₁₆	50 ¹³ / ₁₆	48 ⁹ / ₁₆	⁷ / ₁₆	5 ¹ / ₈	48	16	53 ³ / ₄	48 ¹ / ₄	7	14
54	59	56 ¹³ / ₁₆	54 ¹ / ₂	⁷ / ₁₆	6 ³ / ₄	60	24	62	55	¹ / ₄	14
60	65	62 ¹³ / ₁₆	60 ¹ / ₂	⁷ / ₁₆	6 ³ / ₄	60	24	68	61	¹ / ₄	14
66	72 ¹ / ₄	70	66 ³ / ₄	⁹ / ₁₆	8 ¹ / ₈	66	24	75 ¹ / ₂	67 ¹ / ₄	¹ / ₄	14
72	79 ¹ / ₄	76 ⁵ / ₈	72 ³ / ₄	⁹ / ₁₆	9 ³ / ₄	72	24	83 ¹ / ₄	73 ¹ / ₄	¹ / ₄	14
84	91 ³ / ₈	88 ³ / ₄	84 ⁷ / ₈	⁹ / ₁₆	9 ³ / ₄	84	24	95 ³ / ₈	85 ³ / ₈	¹ / ₄	14

DIMENSIONS ARE NOT TO BE USED FOR CONSTRUCTION.

Typical Specifications

Direct Drive Type “W” Vaneaxial Fans

Vaneaxial fans, where indicated on drawings and schedules, shall be Direct Drive Type W as manufactured by Aerovent, Minneapolis, Minnesota and shall be of the size and capacity as indicated in the fan schedule. Type W vaneaxial fans shall be rated based on tests and procedures performed in accordance with AMCA Publication 211 and shall comply with the requirements of the AMCA Certified Ratings Program. The Type W fans shall be guaranteed by the manufacturer to deliver at the rated published performance levels. In addition, each unit shall be factory run tested prior to shipment.

CONSTRUCTION — The fan housing shall be rolled with angle ring construction from heavy-gauge [steel] [aluminum], [304 stainless steel] [316 stainless steel] with a continuous welded seam construction. The guide vanes and motor base plate shall be integrally welded with the outer housing providing a substantial [all-steel] [all-aluminum], [304 stainless steel] [316 stainless steel] weldment.

PROPELLER — The propeller shall be of SC64D cast aluminum with adjustable blades that are attached to a SC64D cast aluminum hub and are dynamically and statically balanced. The propeller shall have a streamlined hub cover and be attached to the shaft with a spilt taper lock bushing.

MOTORS — Direct drive units shall be supplied with motor wiring connections extended through liquid-tight conduit to outside the fan housing.

BALANCING — The fan propeller assembly shall be statically and dynamically balanced in accordance with ISO 1940-1973, “Balance Quality of Rotating Rigid Bodies,” Grade Level G6.3. In addition, direct drive fan propellers shall be balanced on their motor shaft after final assembly, in the fan casing, in accordance with ISO 2372, “Mechanical Vibration of Machines with Operating Speed from 10 to 200 Rev/Sec Basis for Specifying Evaluation Standards,” to tolerances not to exceed those listed below, in mils double amplitude:

<u>Fan RPM</u>	<u>Mils PK-PK</u>	<u>Vel In/Sec (PK)</u>
3540	0.66	0.124
1725	1.32	0.124
1160	1.97	0.124
870	2.63	0.124
695	3.38	0.124

FINISH — The units, after fabrication, shall be cleaned and chemically pretreated by a phosphatizing process and shall be painted inside and outside with an alkyd primer and finish painted with an air dry enamel. Fan shall be coated with the following optional finish:

- Plasite 4310 Vinyl Ester Coating, 25-28 mils
- Epoxy Paint
- Galvanizing
- Plasite 7122 Epoxy Phenolic Force Cured, 10 mils
- Plasite 3066 Baked Phenolic, 5-7 mils
- Plasite 1246 Baked Epoxy Phenolic, 5-7 mils

SOUND POWER LEVELS — Sound power level of fan(s) shall not exceed:
Octave Band-CPS (Sound Power 10⁻¹²).

63	125	250	500	1000	2000	4000	8000

ACCESSORIES — Unit shall be furnished completed with:

- | | |
|---|---|
| <input type="checkbox"/> OSHA Type Inlet Guard | <input type="checkbox"/> Inlet Bell |
| <input type="checkbox"/> OSHA Type Outlet Guard | <input type="checkbox"/> Propeller Inspection Section |
| <input type="checkbox"/> Companion Flanges [Steel] [Aluminum] [Stainless Steel] | <input type="checkbox"/> Inlet Cone |
| <input type="checkbox"/> Support Legs | <input type="checkbox"/> Outlet Cone |
| <input type="checkbox"/> Vertical Mounting Brackets | <input type="checkbox"/> Inlet Vane Damper |
| <input type="checkbox"/> Ceiling Vibration Eliminators [Rubber-In-Shear] [Spring] | <input type="checkbox"/> Acoustical Silencer |
| <input type="checkbox"/> Floor Vibration Eliminators [Rubber-In-Shear] [Spring] | <input type="checkbox"/> Horizontal Ceiling Mounting Brackets |
| <input type="checkbox"/> Swingout Arrangement (to size 48") | <input type="checkbox"/> Stack Cap |
| <input type="checkbox"/> Manually Adjustable Pitch Propeller | |
| <input type="checkbox"/> Curb Base | |

Typical Specifications

Belt Driven Type “W” Vaneaxial Fans

Vaneaxial fans, where indicated on drawings and schedules, shall be Belt Driven Type W as manufactured by Aerovent, Minneapolis, Minnesota and shall be of the size and capacity as indicated in the fan schedule. Type W vaneaxial fans shall be rated based on tests and procedures performed in accordance with AMCA Publication 211 and shall comply with the requirements of the AMCA Certified Ratings Program. The Type W fans shall be guaranteed by the manufacturer to deliver at the rated published performance levels. In addition, each unit shall be factory run tested prior to shipment.

CONSTRUCTION — The fan housing shall be rolled with angle ring construction from heavy-gauge [steel] [aluminum], [304 stainless steel] [316 stainless steel] with a continuous welded seam construction. The guide vanes shall be integrally welded with the outer housing providing a substantial [all-steel] [all-aluminum], [304 stainless steel] [316 stainless steel] weldment. Belt driven units shall be constructed with the motor base plate welded to the outside of the fan housing. The adjustment of the belt tension shall be accomplished with an adjustable slide rail base.

IMPELLER — The propeller shall be of SC64D cast aluminum with adjustable blades that are attached to a SC64D cast aluminum hub and are dynamically and statically balanced. The propeller shall have a streamlined hub cover and be attached to the shaft with a spilt taper lock bushing.

BEARINGS — Type W belt driven units shall be supplied with sealed pillow block type bearings with grease line brought forward to the outside of the unit for ease of servicing. Sheaves are cast iron with static conducting belts. Bearings and belts are enclosed in an air insulated housing for protection.

DRIVE — All drive selections on Type W belt driven fans shall be designed with a 1.2 service factor, unless otherwise specified. Sheaves shall be cast iron with static conducting belts. Belt adjustment shall be accomplished with an adjustable motor slide rail base.

MOTORS — Belt driven fan motors shall be NEMA Design B, standard industrial, continuous duty, ball bearing, variable torque and shall be provided with the enclosure type, voltage, phase and hertz as listed in the fan schedule.

BALANCING — The fan propeller assembly shall be statically and dynamically balanced in accordance with ISO 1940-1973, “Balance Quality of Rotating Rigid Bodies,” Grade Level G6.3. In addition, the fan assembly shall be balanced, after final assembly, in the fan casing, in accordance with ISO 2372, “Mechanical Vibration of Machines with Operating Speed from 10 to 200 Rev/Sec Basis for Specifying Evaluation Standards,” to tolerances not to exceed those listed below, in mils double amplitude:

Fan RPM	Mils PK-PK	Vel In/Sec (PK)
3540	0.66	0.124
1725	1.32	0.124
1160	1.97	0.124
870	2.63	0.124
695	3.38	0.124

FINISH — The units, after fabrication, shall be cleaned and chemically pretreated by a phosphatizing process and shall be painted inside and outside with an alkyd primer and finish painted with an air dry enamel. Fan shall be coated with the following optional finish:

- Plasite 4310 Vinyl Ester Coating, 25-28 mils
- Plasite 3066 Baked Phenolic, 5-7 mils
- Plasite 124 Baked Epoxy Phenolic, 5-7 mils
- Plasite 7122 Epoxy Phenolic Force Cured, 10 mils
- Plasite 3066 Baked Phenolic, 5-7 mils
- Plasite 1246 Baked Epoxy Phenolic, 5-7 mils

SOUND POWER LEVELS — Sound power level of fan(s) shall not exceed:

Octave Band-CPS (Sound Power 10⁻¹²).

63	125	250	500	1000	2000	4000	8000

ACCESSORIES — Unit shall be furnished completed with:

- OSHA Type Inlet Guard
- OSHA Type Outlet Guard
- OSHA Type Belt Guard
- Companion Flanges [Steel] [Aluminum] [Stainless Steel]
- Support Legs
- Vertical Mounting Brackets
- Horizontal Ceiling Mounting Brackets
- Ceiling Vibration Eliminators [Rubber-In-Shear] [Spring]
- Floor Vibration Eliminators [Rubber-In-Shear] [Spring]
- Propeller Inspection Section
- Inlet Cone
- Outlet Cone
- Inlet Bell
- Swing-out Arrangement (to size 43")
- Motor Cover
- Rotary Shaft Seal
- Inlet Vane Damper
- Acoustical Silencer
- Stack Cap
- Curb Base