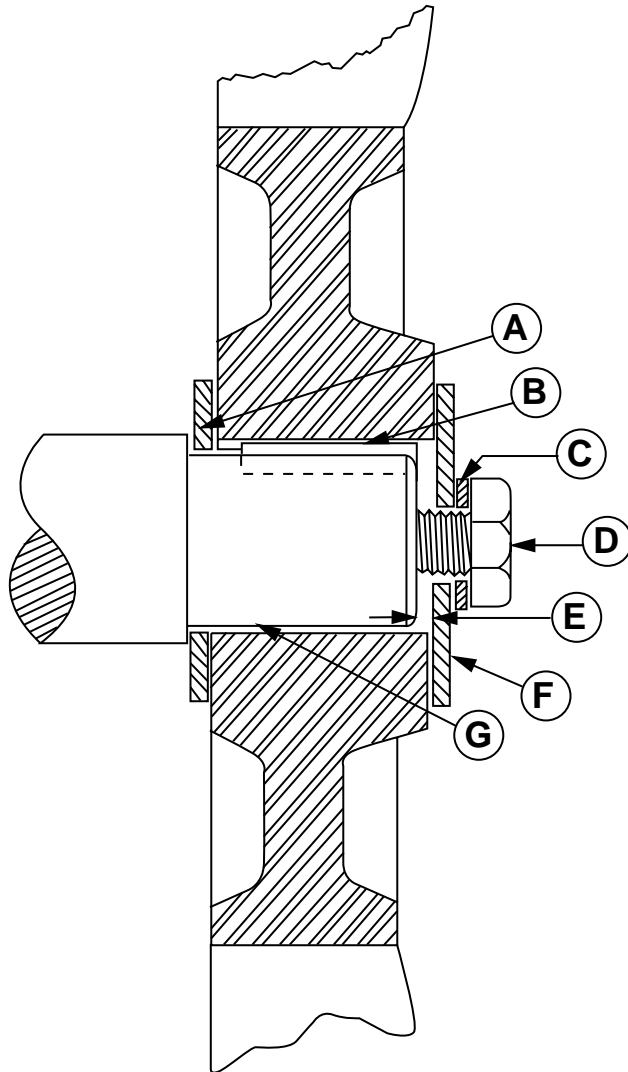




IM-205  
June 1997

General Installation, Operation and Maintenance Instructions For Aerovent Products

## Fiberglass Propeller Assembly Instructions



### PARTS

- A - Flat Washer — Stainless steel
- B - Shaft Key — Stainless steel
- C - Lock Washer — Stainless steel
- D - Hex Head Bolt, R.H. Thread — Stainless steel
- E -  $\frac{1}{8}$ " Minimum Gap — Between end of shaft and washer
- F - Flat Washer — Stainless steel
- G - Shaft Turndown —  $\frac{1}{8}$ " on shaft diameter through  $\frac{3}{4}$ ";  $\frac{1}{4}$ " on shaft diameter 1" and larger.

### ASSEMBLY

1. 10 ga. stainless steel washer (A) must be placed on shaft.
2. Insert key in keyway.
3. Align keyway in propeller hub with key on shaft, and push propeller onto shaft.
4. Place second stainless steel 10 ga. washer on shaft. Must have  $\frac{1}{8}$ " minimum gap. If gap is less than  $\frac{1}{8}$ ", add a second washer (A).
5. Place stainless steel lock washer (C) on hex head. Bolt and tighten securely.
6. Rotate propeller by hand to check tip clearance of propeller blades to fan housing.

©1997 Aerovent



**Aerovent**

*A Twin City Fan Company*

5959 Trenton Lane · Minneapolis, MN 55442-3238  
Phone (612) 551-7500 · Fax (612) 551-7501 · Website [www.aerovent.com](http://www.aerovent.com)



MEMBER