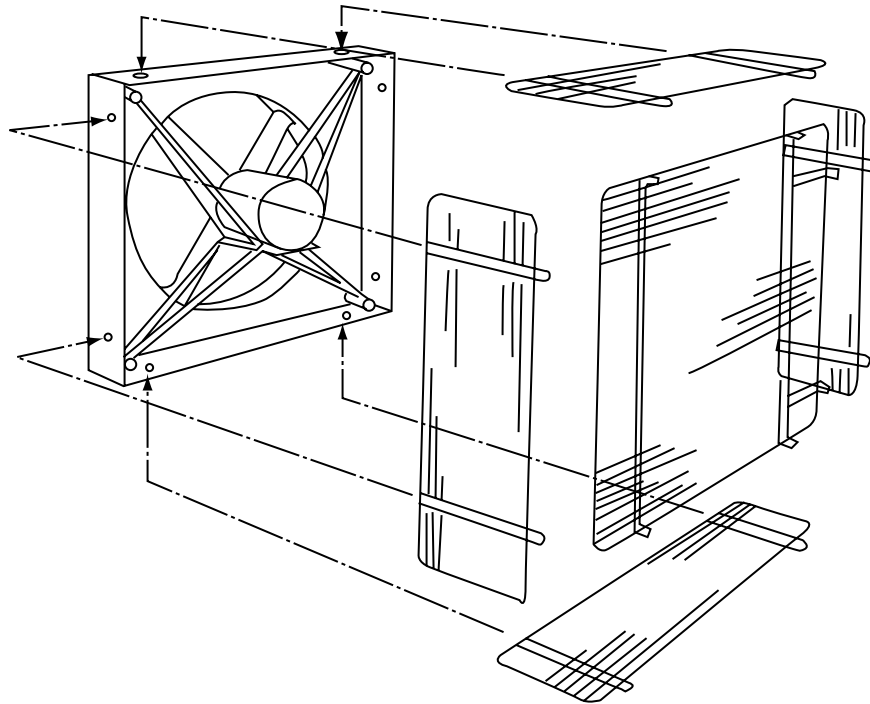




IM-215
June 1997

General Installation, Operation and Maintenance Instructions For Aerovent Products

Rear Wire Guard (WWII) For Panel Fans



PARTS

- (1) Rear Panel
- (4) Side Panels
- (16) or (24) $\frac{5}{16}$ " x 1" Hex Head Capscrews
- (16) or (24) Hex Head Locknuts
- (32) or (48) $\frac{3}{8}$ " I.D. Flat Washers

ASSEMBLY

1. Bolt three sides of guard to rear panel using $\frac{5}{16}$ " cap-screws, nuts and flat washers.
2. Bolt partially assembled guard to panel fan using cap screws, nuts and flat washers.

3. Arrange for electrical hook-up to fan motor. Two methods may be used:

- a. Drill hole in fan panel and route wire or conduit through opening.

- OR -

- b. Bend or cut side panel wire guard and route wire or conduit through opening.
4. Assemble fourth side to guard and panel, sliding along conduit or wiring if routing through guard.
5. Securely tighten all locknuts.

©1997 Aerovent



Aerovent

A Twin City Fan Company

5959 Trenton Lane · Minneapolis, MN 55442-3238
Phone (612) 551-7500 · Fax (612) 551-7501 · Website www.aerovent.com



MEMBER