



BackSwept Propellers™



Patent Pending

Construction / Design Features

- Unique BackSwept Profile with Airfoil Cross Section
- Diecast Aluminum Construction
- Blades also available in GRP (Polypropylene)
- Adjustable Pitch Blade Design
- Blades can be Trimmed to Meet Any Diameter
- Propeller Diameter 12" to 55" with 2, 3, 4, 5, 6, 9, 10 and 12 Blade Options
- Propeller uses Split Taper Lock Bushing for Superior Holding Power on Shaft



Performance

- Delivers High Airflow up to 110,000 CFM
- Static Pressure to 7"
- Maximum Temperature 275° F
- Generates Low Wake Turbulence for Low Noise Emission
- Fans Tested in Accordance with AMCA 210-07 for Air Performance
- Fans Tested in Accordance with AMCA 300-05 for Sound Performance

Nomenclature

BSA - BackSwept Aluminum

BSP - BackSwept Polypropylene

Wheel Diameter _____

BackSwept _____

Hub Size _____

No. of Blades _____

12 B 1 10

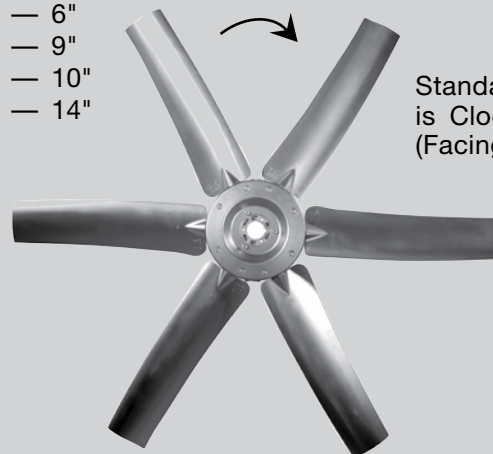
Hub Size

1 — 6"

2 — 9"

3 — 10"

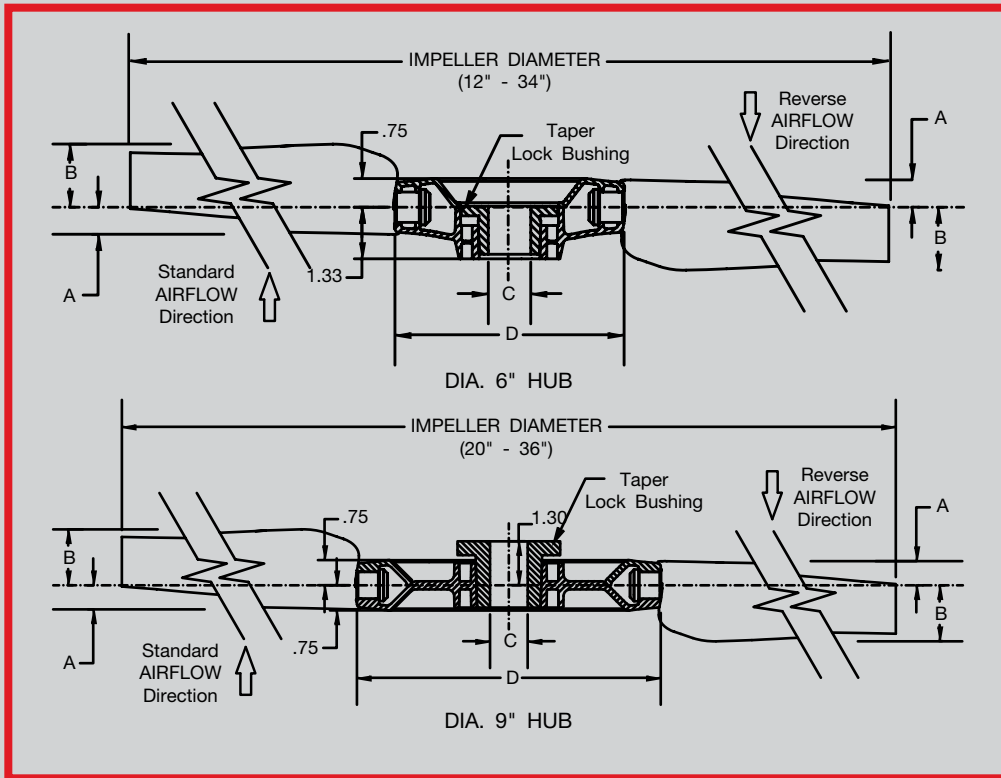
4 — 14"



Standard Rotation
is Clockwise
(Facing Airflow)

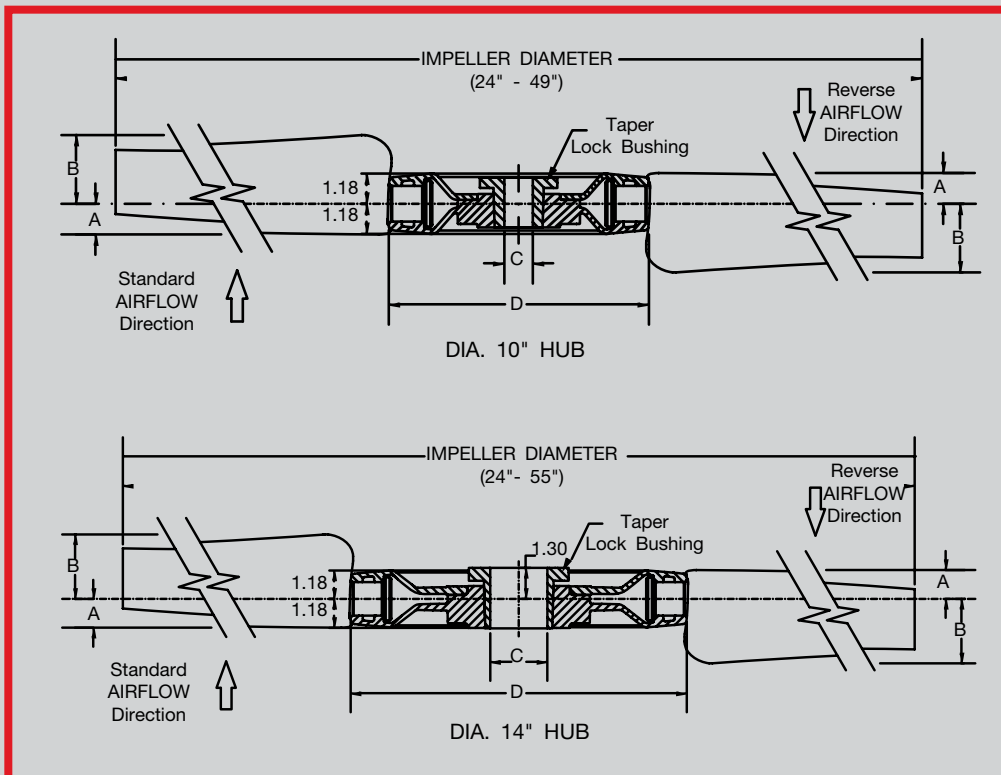
Dimensional Data

PROP. DIA. 12"- 36" HUB DIA. 6" & 9"



| Hub Size | Max. Bore C | Hub Dia., D |
|-------------|-------------|-------------|
| 6" | 1.50" | 5.90" |
| 9" | 1.69" | 8.85" |
| Pitch Angle | A | B |
| 15 degrees | .39" | 1.18" |
| 20 degrees | .59" | 1.49" |
| 25 degrees | .70" | 1.65" |
| 30 degrees | .86" | 1.77" |
| 35 degrees | .98" | 1.82" |
| 40 degrees | 1.10" | 2.00" |

PROP. DIA. 24"- 55" HUB DIA. 10" & 14"



| Hub Size | Max. Bore C | Hub Dia., D |
|-------------|-------------|-------------|
| 10" | 1.69" | 10.03" |
| 14" | 2.69" | 13.77" |
| Pitch Angle | A | B |
| 15 degrees | .82" | 1.49" |
| 20 degrees | .82" | 1.77" |
| 25 degrees | .82" | 2.00" |
| 30 degrees | .86" | 2.24" |
| 35 degrees | 1.02" | 2.48" |
| 40 degrees | 1.22" | 2.67" |

Propeller Options

| Hub Size | No. of Blades | Prop. Dia. Range |
|----------|---------------|------------------|
| 6" | 5 & 10 | 12" to 34" |
| 9" | 3, 6, 9 & 12 | 20" to 36" |
| 10" | 2, 3, 4 & 6 | 24" to 49" |
| 14" | 3, 6, 9 & 12 | 24" to 55" |

12 - 34"



6" Hub (5 blades)



6" Hub (10 blades)

20 - 36"



9" Hub (3 blades)



9" Hub (6 blades)



9" Hub (9 blades)



9" Hub (12 blades)

24 - 49"



10" Hub (2 blades)



10" Hub (3 blades)



10" Hub (4 blades)



10" Hub (6 blades)

24 - 55"



14" Hub (3 blades)



14" Hub (6 blades)



14" Hub (9 blades)



14" Hub (12 blades)



Aerovent

A Twin City Fan Company

5959 Trenton Lane · Minneapolis, MN 55442-3237

Phone (763)551-7500 · Fax (763)551-7501 · www.aerovent.com

1MPP01/10



MEMBER

