



Aerovent's Easy Access Capabilities

Swingout Design

- Recommended for fans requiring frequent cleaning
- Provides full access for routine maintenance without removing the fan from the ductwork
- Available for vertical installations only

Double Post Swingout

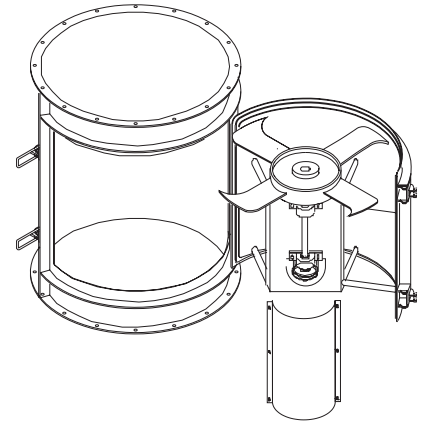
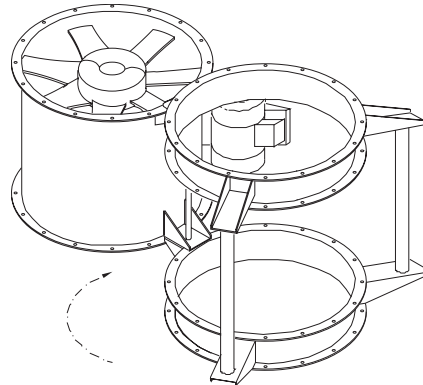
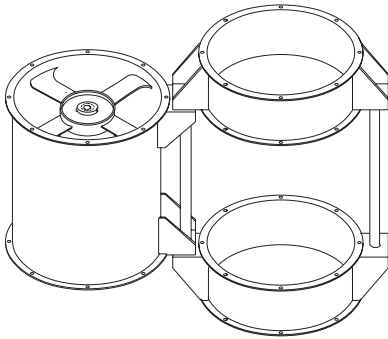
- available for installations where the fan does not support any additional weight

Triple Post Swingout

- available for installations where the fan must support additional weight, such as a stack cap

Split Fan Swingout

- available for installations where the fan must support additional weight, such as a stack cap
- split inner cylinder permits direct access to the bearings and shaft for maintenance



EASY ACCESS DESIGN	TUBEAXIAL FAN				VANEAXIAL FAN				CENTAXIAL FANS**			
	BELT DRIVE		DIRECT DRIVE		BELT DRIVE		DIRECT DRIVE		BELT DRIVE		DIRECT DRIVE	
	SIZE RANGE	MAX. MTR. FRAME	SIZE RANGE	MAX. MTR. FRAME	SIZE RANGE	MAX. MTR. FRAME	SIZE RANGE	MAX. MTR. FRAME	SIZE RANGE	MAX. MTR. FRAME	SIZE RANGE	MAX. MTR. FRAME
Double Post	12 - 48"	256T	12 - 48"	256T	12 - 48"	256T	12 - 48"	256T	NA	—	NA	—
Triple Post	12 - 48"	256T	12 - 48"	256T	12 - 48"	256T	12 - 48"	256T	12 - 32"	256T	12 - 32"	256T
Split Fan	24 - 60"	256T	24 - 60"	256T	24 - 60"	256T	24 - 60"	256T	16 - 32"	256T	16 - 32"	256T
Clam-shell	18 - 60"	All	18 - 60"	All	18 - 60"	All	18 - 60"	All	12 - 39"	All	12 - 39"	All
Full Fan Access Door	18 - 60"	All	18 - 60"	All	18 - 60"	All	18 - 60"	All	12 - 71"	All	12 - 71"	All

** 1. High temperature construction is not available with swingout and clamshell designs.
 2. TC construction - consult factory for swingout and clamshell designs.
 3. Refer to drawing for maximum motor frame sizes. Maximum motor frame sizes shown are absolute.

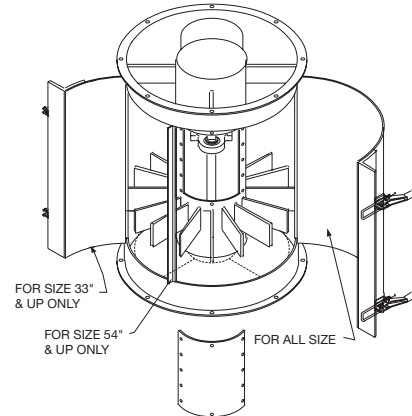
Clamshell and Full Fan Access Designs

Clamshell Construction

Design: Hinged doors

Applications:

- used for frequent access to fan internals
- split inner cylinder permits access to the shaft and bearings for maintenance
- available for installations where the fan must support additional weight, such as a stack cap
- vertical installations only

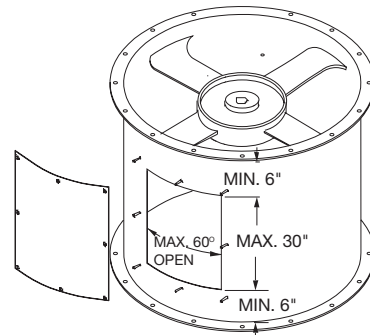


Full Fan Access Door

Design: Bolted door

Applications:

- used for occasional access to fan internals
- available for installations where the fan must support additional weight, such as a stack cap
- horizontal and vertical installations



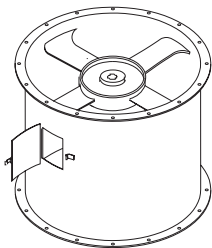
Inspection Doors

Quick Opening Inspection Door

Design: One small, hinged door

Applications:

- used for frequent inspection of fan interior
- horizontal and vertical installations

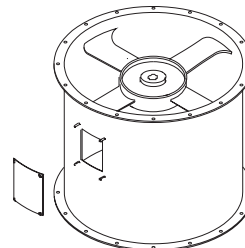


Bolted Inspection Door

Design: One small, bolted door

Applications:

- used for occasional inspection of fan interior
- horizontal and vertical installations



Aerovent

A Twin City Fan Company

5959 Trenton Lane · Minneapolis, MN 55442-3237
Phone (763)551-7500 · Fax (763)551-7501 · www.aerovent.com

